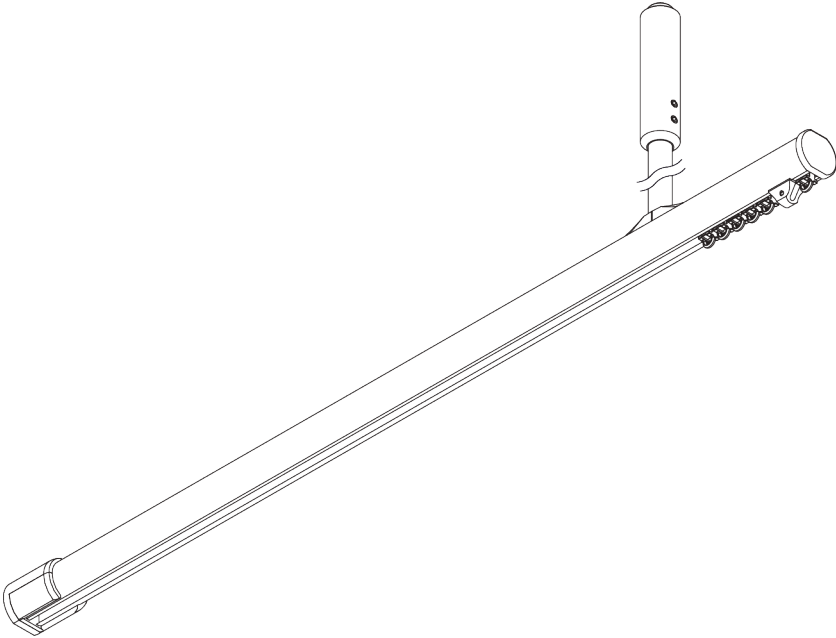


SG 6103



PRODUCT INFORMATION

- **Operation:** hand
- **Range:** S - L
- **Fitting:** suspended, ceiling, wall
- **Colours:** white RAL 9016 or anodised aluminum, special colours possible
- **Fabrics:** refer to Silent Gliss fabric collection

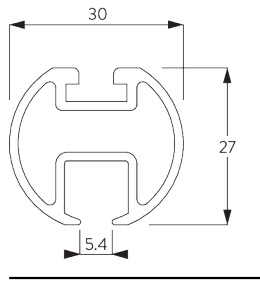
Features:

- Universal room divider
- 2-component (2C) glider technology
- Wave (2C)
- Suspended
- Versatile layouts
- Bendable

SYSTEM SPECIFICATIONS

A. PROFILE

Profile and bending information

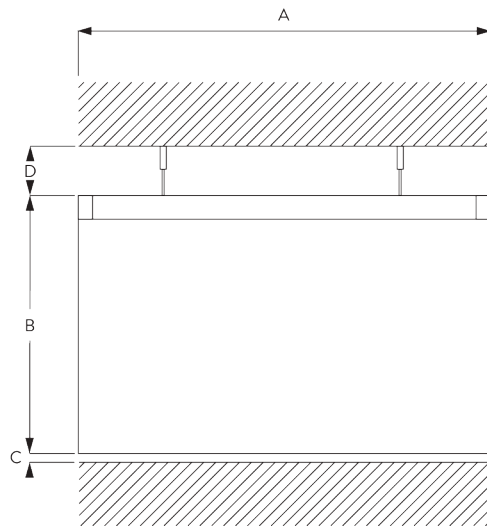


SG 6103p

Profile



B. HOW TO MEASURE



A: System width

B: System height

C: Distance between floor and fabric

D: Distance between ceiling and system

C. SPECIFICATION TEXT

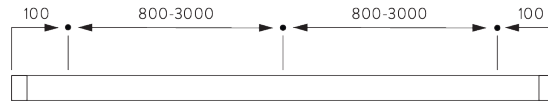
Silent Gliss SG 6103 Room Divider System. Comprises aluminium profile SG 6103 in satin anodised / white powder coat finish supplied made to measure with standard nylon glider hook SG 6147 at 10/m. Installed with the following parts depending on system configuration: Wall support SG 6620 / Wall bracket SG 6503 / End cover SG 6630 / End stop SG 6007 / External bridge SG 6521/ T-junction SG 6514 / Cross connection SG 6525 / Ceiling fixing plate SG 6138 / Twist fixing plate SG 6124 / Hanger rod SG 6190 / V-hanger rod SG 6501 / dust cover SG6110/ ceiling support SG 6175 / Internal Bridge SG 6635.

FITTING

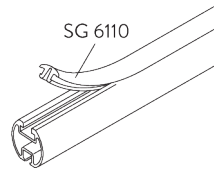
A. FITTING INFORMATION

For detailed fitting information, visit the Silent Gliss website.

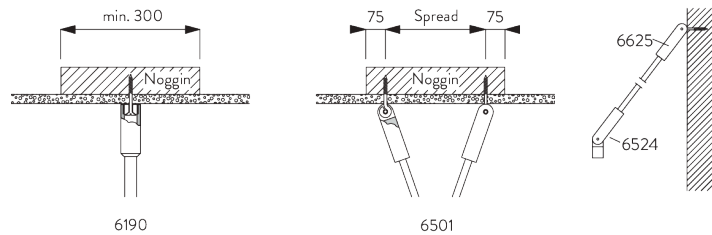
Fixing points



Dust Cover



Site preparation for suspended ceiling applications

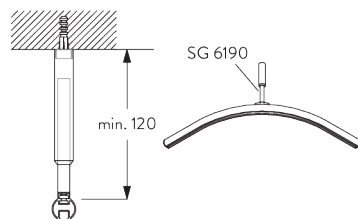


- Fixings should support the ends of the profile and any changes in direction.
- Maximum span between fixings is 3000 mm.
- When fitting to suspended ceilings site preparation is critical.
- At each hanger position a noggin in approved material is required above the suspended ceiling; underside to rest on top of ceiling (but independently supported) with a minimum length of 300 mm at right angles to the track in which the hanger occurs to give fixing tolerance.
- Ideally the hangers should be on the return track, if on the front track then adequate support should be provided.
- A detailed information sheet is available on request.

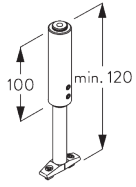
Diagonal fixing supports can be used to return the hanger to the bedhead wall, but only for use when it is impossible to ceiling fix.

B. CEILING FITTING

Hanger SG 6190



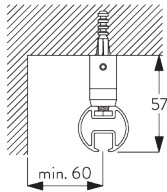
Can also be fixed in suspended ceilings by using sleeves SG 6197, SG 6186, SG 6187, SG 6188.



SG 6190

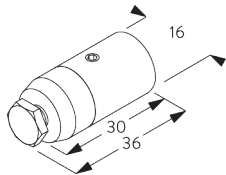
Hanger

Mini hanger SG 6175

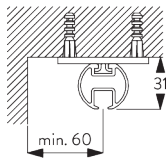


SG 6175

Mini hanger

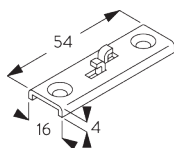


Bracket SG 6124

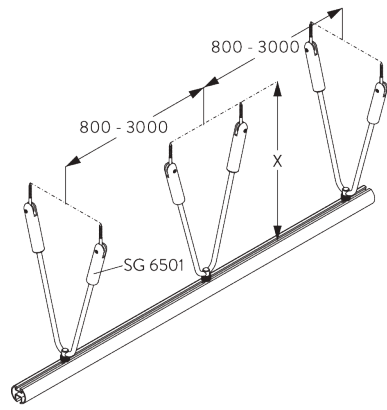


SG 6124

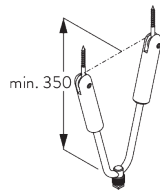
Bracket



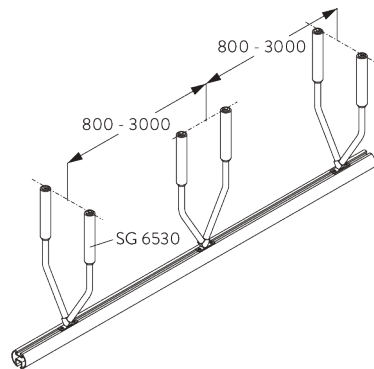
V-hanger



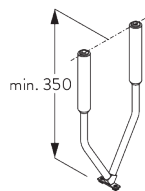
SG 6501:
V-hangers (25°-35°) provide additional lateral stability.



SG 6501
V-Hanger



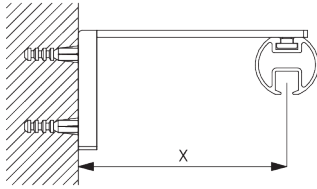
SG 6530:
V-hangers (25°-35°) provide additional lateral stability.



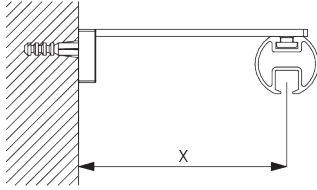
SG 6530
V-Hanger

C. WALL FITTING

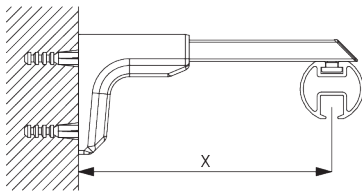
Smart Fix



Smart Fix with slot SG 11206 - SG 11208:
Screw SG 10492 (M4x8) needed.

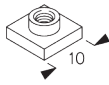


Square Smart Fix with slot SG 11216 - SG 11218:
Screw SG 10492 (M4x8) needed.



Universal Smart Fix SG 11154 - SG 11156:
Screw SG 11131 (M4x6) needed.

Smart Fix	X mm
SG 11206 / SG 11216	33-51
SG 11207 / SG 11217	53-71
SG 11208 / SG 11218	73-91
SG 11154	102-130
SG 11155	132-160
SG 11156	182-210



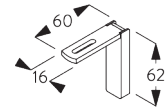
SG 6117
Slot nut



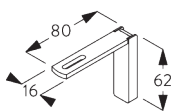
SG 10492
Pan head screw M4x8



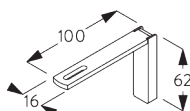
SG 11131
Pan head screw with flange
M4x6



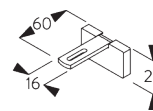
SG 11206
Smart Fix with slot 60 mm



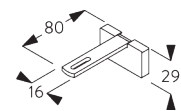
SG 11207
Smart Fix with slot 80 mm



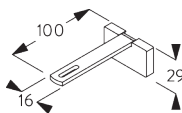
SG 11208
Smart Fix with slot 100 mm



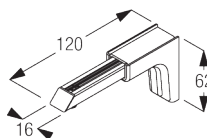
SG 11216
Square Smart Fix with slot 60
mm



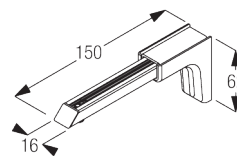
SG 11217
Square Smart Fix with slot 80
mm



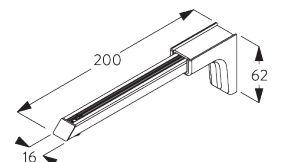
SG 11218
Square Smart Fix with slot
100 mm



SG 11154
Universal Smart Fix 120 mm

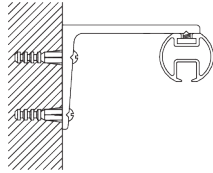


SG 11155
Universal Smart Fix 150 mm

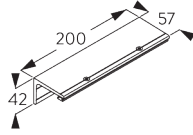


SG 11156
Universal Smart Fix 200 mm

Bracket SG 6503



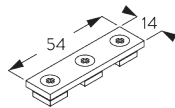
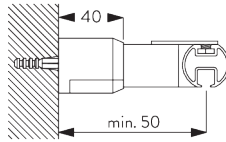
Bracket SG 6503 is available in various sizes, enquire at Silent Gliss.



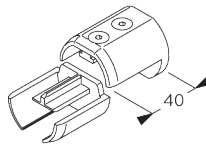
SG 6503
Bracket

D. WALL SUPPORT

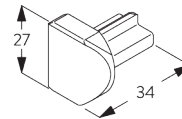
Bracket SG 6620



SG 6123
Connection plate



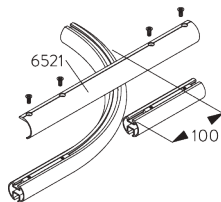
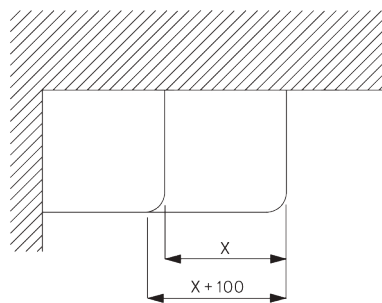
SG 6620
Wall bracket



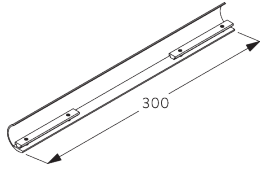
SG 6631
Connection piece

E. PROFILE JUNCTIONS

Connection bridge SG 6521



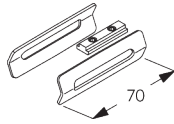
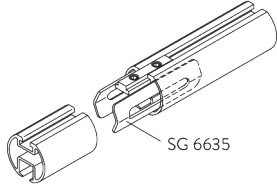
Note: be sure to attach a sketch!



SG 6521

Connection bridge

**Connection set
SG 6635**

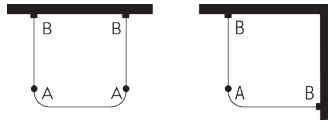


SG 6635

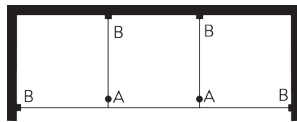
Connection bridge set

SYSTEM OPTIONS

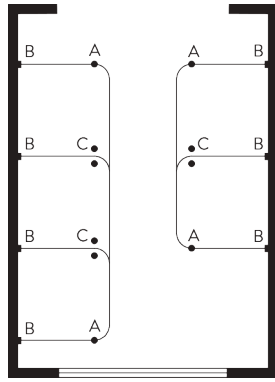
A. LAYOUT OPTIONS



A: Hanger rod
B: Wall support

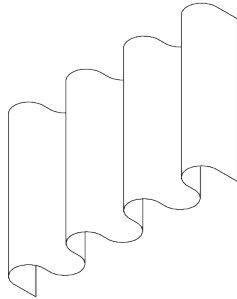


A: Hanger rod
B: Wall support

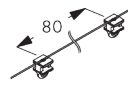


A: Hanger rod
 B: Wall support
 C: V-hanger

B. WAVE



SG 11295



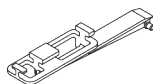
SG 11302

Standard components:

- SG 11295 End stop
- SG 11302 Wave 2C glider cord 80 mm



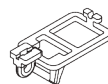
SG 2255



SG 6364



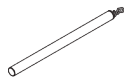
SG 6365



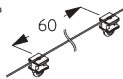
SG 6366

Optional components:

- SG 2255 Brake
- SG 6364 Wave extension
- SG 6365 Wave hanger
- SG 6366 Wave carrier for draw rod
- SG 10430-34 Draw rod
- SG 11303 Wave 2C glider cord 60 mm



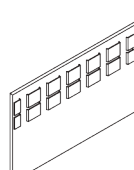
SG 10430-34



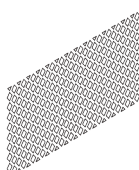
SG 11303



SG 3582



SG 6349



SG 6363

Curtain components:

- SG 3582 Hook
- SG 6349 Wave curtain tape
- SG 6363 Wave top hemming tape
- SG 10075 Lead weight 50 gr/m
- SG 10076 Fabric weight

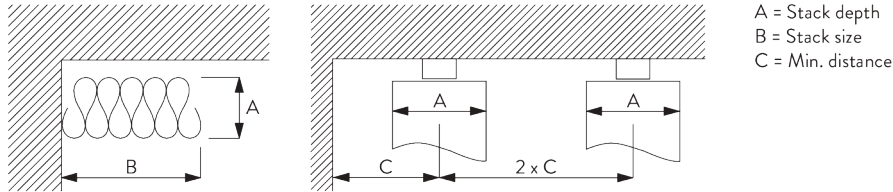


SG 10075



SG 10076

Wave stack depth - 2C glider cord (standard components)



2C Glider cord SG 11302	Pockets between hooks	Approx. curtain fullness	Stack depth A	Stack size B*	Min distance C
80	6	~2.1	140	180 per metre of track	90
80	7	~2.3	160	180 per metre of track	100

2C Glider cord SG 11303	Pockets between hooks	Approx. curtain fullness	Stack depth A	Stack size B*	Min distance C
60	4	~2.1	100	230 per metre of track	70
60	5	~2.3	120	230 per metre of track	80

*Stack size B when using optional extension arm SG 6364 increases by 95 mm per curtain stack!

GENERAL NOTES

Dimensions

- Measurements are in mm except where indicated.
- Max. kg relates to fabric incl. accessories.
- Stack size depends on curtain make-up and fabric thickness.
- Distance between gliders max. 80 mm / distance between rollers max. 100 mm.
- Recommended distance floor / fabric: 20 mm.
- In order to determine system height (B), the smallest room height must be taken into account.

Fitting


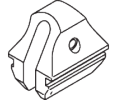


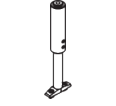
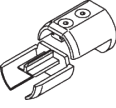
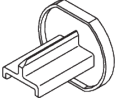
- Installation by qualified fitter only.
- Number of brackets and fitting positions / fixing points vary depending on fitting surface, system weight, fabric make-up, screw / fixing type and obstacles.
- Qualified fitter must use appropriate screws / fixings for each situation.
- Profile lip if applicable to be installed to room side.

Child Safety

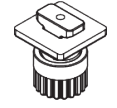






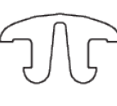
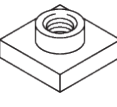
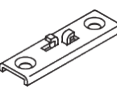
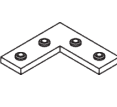
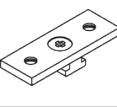

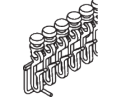
- All relevant Silent Gliss systems correspond to child safety EN 13120.
- All parties involved must comply with EN 13120.

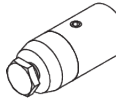
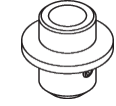
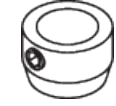

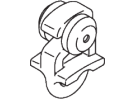

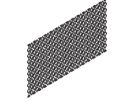
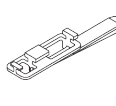
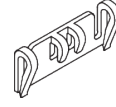
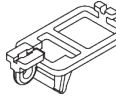

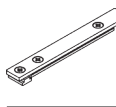


PARTS

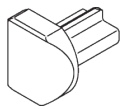
A. STANDARD PARTS

	SG 6065 End stop
	SG 6086 Spring stop
	SG 6103p Profile
	SG 6143 Glider on strip
	SG 6190 Hanger
	SG 6620 Wall bracket
	SG 6630 End cover

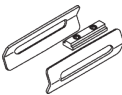
B. OPTIONAL PARTS

	SG 2255 Brake
	SG 3582 Hook
	SG 3599 Hook
	SG 6064 End stop
	SG 6075 End stop with hook
	SG 6094 Roller
	SG 6098 Roller
	SG 6110 Dust cover
	SG 6117 Slot nut
	SG 6124 Bracket
	SG 6125 Corner connection piece
	SG 6138 Bracket
	SG 6146 Hook
	SG 6147 Glider with hook on strip

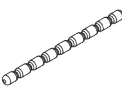
	SG 6175 Mini hanger
	SG 6186 Sleeve
	SG 6187 Sleeve
	SG 6196 Double hanger
	SG 6283 Roller
	SG 6349 Wave curtain tape
	SG 6363 Wave top hemming tape
	SG 6364 Wave extension
	SG 6365 Wave hanger
	SG 6366 Wave carrier for draw rod
	SG 6501 V-Hanger
	SG 6514 T-Junction
	SG 6521 Connection bridge
	SG 6530 V-Hanger



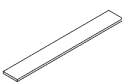
SG 6631
Connection piece



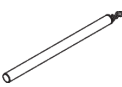
SG 6635
Connection bridge set



SG 10075
Lead weight 50 g/m



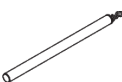
SG 10076
Fabric weight



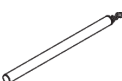
SG 10430
Draw rod 50 cm



SG 10431
Draw rod 75 cm



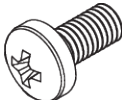
SG 10432
Draw rod 100 cm



SG 10433
Draw rod 125 cm



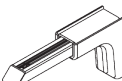
SG 10434
Draw rod 150 cm



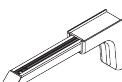
SG 10492
Pan head screw M4x8



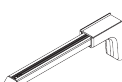
SG 11131
Pan head screw with flange M4x6



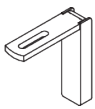
SG 11154
Universal Smart Fix 120 mm



SG 11155
Universal Smart Fix 150 mm



SG 11156
Universal Smart Fix 200 mm



SG 11206
Smart Fix with slot 60 mm



SG 11207
Smart Fix with slot 80 mm



SG 11208
Smart Fix with slot 100 mm



SG 11216
Square Smart Fix with slot 60 mm



SG 11217
Square Smart Fix with slot 80 mm



SG 11218
Square Smart Fix with slot 100 mm



SG 11295
End stop



SG 11302
Wave 2C glider cord 80 mm



SG 11303
Wave 2C glider cord 60 mm