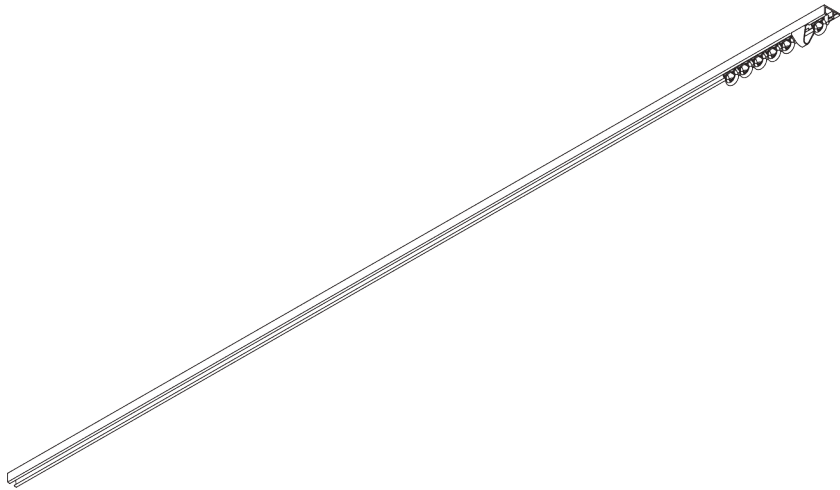
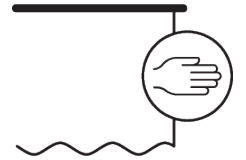


# SG 1025

---



## PRODUCT INFORMATION

- **Operation:** hand
- **Range:** S
- **Fitting:** ceiling
- **Colours:** white RAL 9016; special colours or anodised aluminum possible
- **Fabrics:** refer to Silent Gliss fabric collection

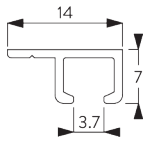
### **Features:**

- Pre-drilled profile
- Bendable

# SYSTEM SPECIFICATIONS

## A. PROFILE

Profile and bending information

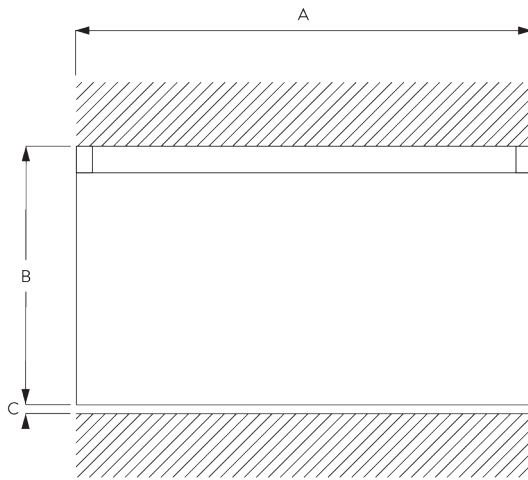


SG 1025p

Profile

Radius:  
✓ 6 cm, 10 cm

## B. HOW TO MEASURE



A: System width  
B: System height  
C: Distance between floor and fabric

## C. SPECIFICATION TEXT

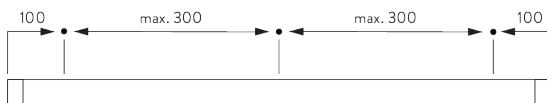
**Silent Gliss SG 1025 Hand Operated Curtain Track System.** Comprises aluminium profile SG 1025 supplied made to measure powder coated white/ silver anodised with gliders SG 3533 at 14/m and 2 end stops SG 3016 per length. Top fixed to timber only with screw SG 6835 at max. 300 mm centres.

# FITTING

## A. FITTING INFORMATION

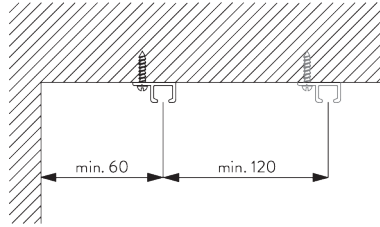
Fixing points

For detailed fitting information, visit the [Silent Gliss website](#).



## **B. CEILING FITTING**

**Direct into wood**



# GENERAL NOTES

### **Dimensions**

- Measurements are in mm except where indicated.
- Max. kg relates to fabric incl. accessories.
- Stack size depends on curtain make-up and fabric thickness.
- Distance between gliders max. 80 mm / distance between rollers max. 100 mm.
- Recommended distance floor / fabric: 20 mm.
- In order to determine system height (B), the smallest room height must be taken into account.

### **Fitting**

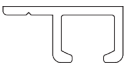


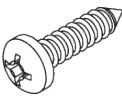
- Installation by qualified fitter only.
- Number of brackets and fitting positions / fixing points vary depending on fitting surface, system weight, fabric make-up, screw / fixing type and obstacles.
- Qualified fitter must use appropriate screws / fixings for each situation.
- Profile lip if applicable to be installed to room side.

### **Child Safety**



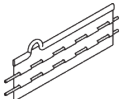




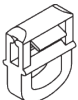
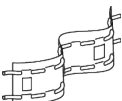




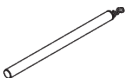
- All relevant Silent Gliss systems correspond to child safety EN 13120.
- All parties involved must comply with EN 13120.

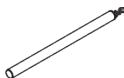



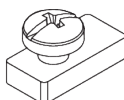
# PARTS

## A. STANDARD PARTS

	<b>SG 1025p</b> Profile
	<b>SG 3016</b> End stop
	<b>SG 3533</b> Glider
	<b>SG 10896</b> Pan head screw 2.9x13

## B. OPTIONAL PARTS

	<b>SG 3020</b> Hook
	<b>SG 3032</b> Spring stop
	<b>SG 3068</b> Frizzing tape
	<b>SG 3070</b> End stop
	<b>SG 3071</b> End stop
	<b>SG 3511</b> Glider
	<b>SG 3534</b> Glider 3533 on strip
	<b>SG 3548</b> Glider
	<b>SG 3562</b> Heading tape
	<b>SG 3570</b> Glider
	<b>SG 3571</b> Hook
	<b>SG 3582</b> Hook
	<b>SG 3599</b> Hook
	<b>SG 10430</b> Draw rod 50 cm

	<b>SG 10431</b> Draw rod 75 cm
	<b>SG 10432</b> Draw rod 100 cm
	<b>SG 10433</b> Draw rod 125 cm
	<b>SG 10434</b> Draw rod 150 cm
	<b>SG 11335</b> End stop