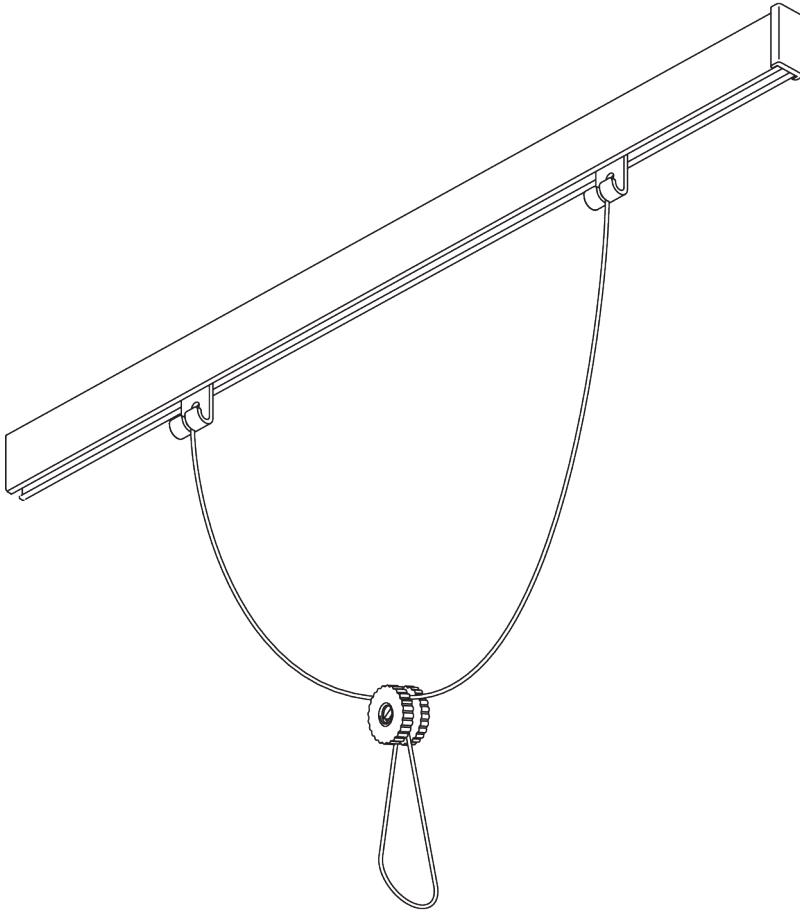
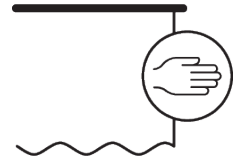


# SG 3600

---



## PRODUCT INFORMATION

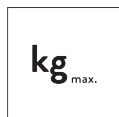
- **Operation:** hand
- **Fitting:** wall
- **Colours:** white RAL 9016; special colours or anodised aluminum possible

### **Features:**

- Picture hanging system
- Adjustable height

# SYSTEM SPECIFICATIONS

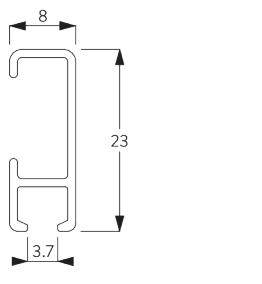
## A. SYSTEM DIMENSIONS



10 kg  
(Total picture weight)

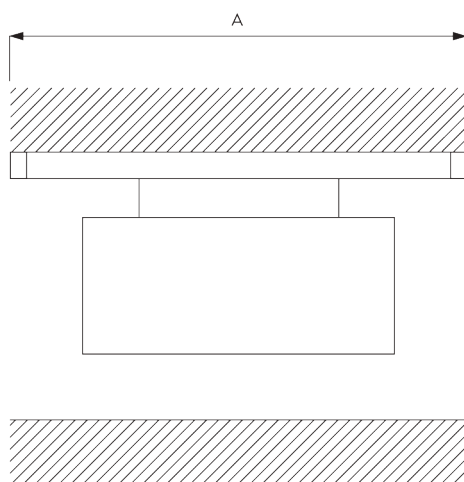
## B. PROFILE

Profile and bending information



SG 1080p  
Profile

## C. HOW TO MEASURE



A: System width

## D. SPECIFICATION TEXT

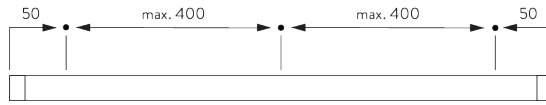
**Silent Gliss SG 3600 Picture Hanging System.** Comprises aluminium profile SG 1080 supplied made to measure in silver anodised or powder coated white / matt white / anodic grey / antique bronze / charcoal with hanging set SG 3665. Specially developed for the quick and precise hanging or moving of pictures. Maximum weight 10 kg per picture. Silent Gliss SG 3600 Picture Hanging System.

# FITTING

## A. FITTING INFORMATION

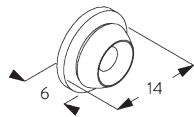
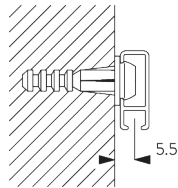
For detailed fitting information, visit the Silent Gliss website.

### Fixing Points



## B. WALL FITTING

### Bracket SG 3606

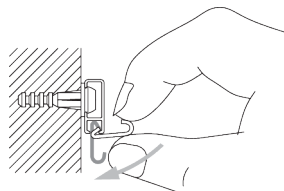


**SG 3606**

Clip

## C. HANGING UP OF PICTURE

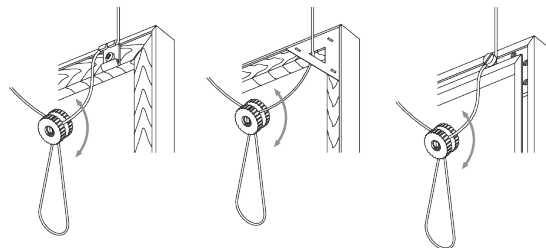
### Set SG 3665



Click-in hooks SG 3606.

Parts:

- SG 3634 Height adjuster
- SG 3637 Cord  $\varnothing$  1.5 mm
- SG 3663 Hook



Picture height is adjusted by turning plastic screw.

# GENERAL NOTES

## **Dimensions**

- Measurements are in mm except where indicated.
- Max. kg relates to fabric incl. accessories.
- Stack size depends on curtain make-up and fabric thickness.
- Distance between gliders max. 80 mm / distance between rollers max. 100 mm.
- Recommended distance floor / fabric: 20 mm.
- In order to determine system height (B), the smallest room height must be taken into account.

## **Fitting**


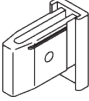


- Installation by qualified fitter only.
- Number of brackets and fitting positions / fixing points vary depending on fitting surface, system weight, fabric make-up, screw / fixing type and obstacles.
- Qualified fitter must use appropriate screws / fixings for each situation.
- Profile lip if applicable to be installed to room side.

## **Child Safety**

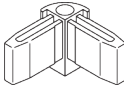
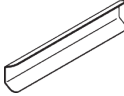
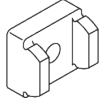
- All relevant Silent Gliss systems correspond to child safety EN 13120.
- All parties involved must comply with EN 13120.

# PARTS

## A. STANDARD PARTS

	<b>SG 1080p</b> Profile
	<b>SG 3605</b> End cover
	<b>SG 3606</b> Clip
	<b>SG 3665</b> Picture hanging set

## B. OPTIONAL PARTS

	<b>SG 3604</b> Corner connector
	<b>SG 3657</b> Connection bridge
	<b>SG 3666</b> Clip





