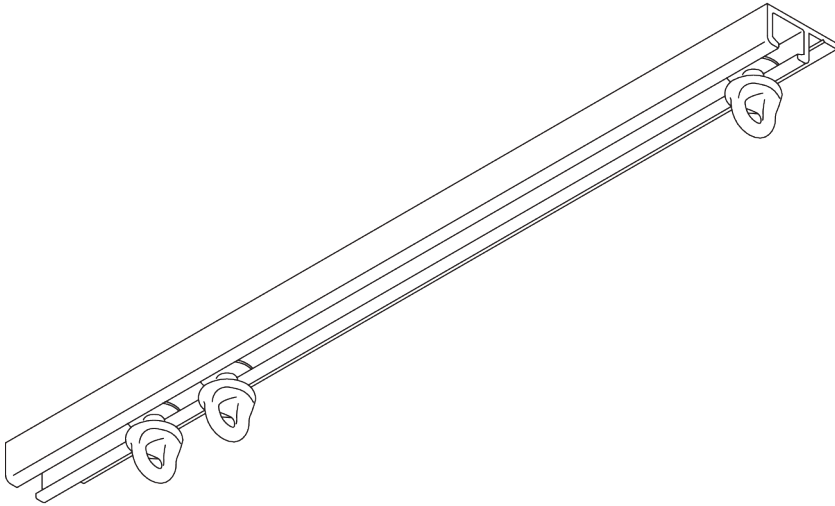


SG 6290



SAFETY TRACK



PRODUCT INFORMATION

- **Operation:** hand
- **Range:** S - M
- **Fitting:** ceiling
- **Colours:** white RAL 9016; special colours or anodised aluminum possible
- **Fabrics:** refer to Silent Gliss fabric collection

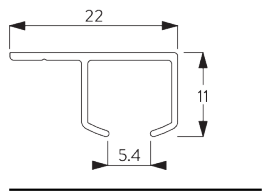
Features:

- Suitable for schools, hospitals, retirement homes, etc.
- Yellow gliders release from profile when weight limit is exceeded (4 - 6 kg)
- Blue glider releases at higher weight limit (8 - 10 kg) due to higher pulling force at curtain leading edges

SYSTEM SPECIFICATIONS

A. PROFILE

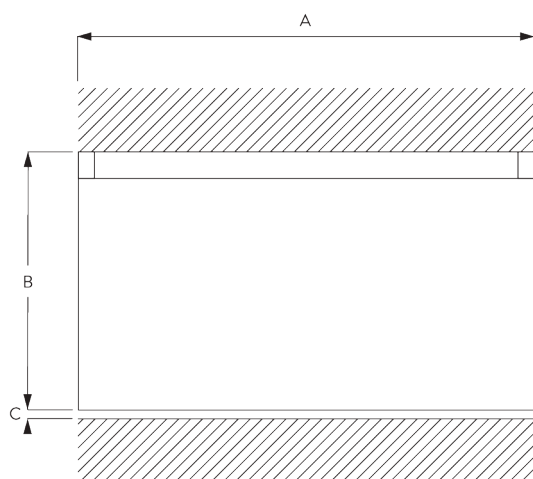
Profile information



SG 6290p

Profile

B. HOW TO MEASURE



A: System width

B: System height

C: Distance between floor and fabric

C. SPECIFICATION TEXT

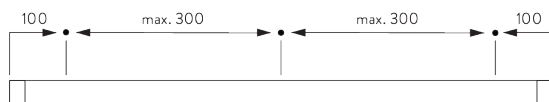
Silent Gliss SG 6290 Hand Operated Curtain Track. Comprises aluminium SG 6290 profile supplied made to measure powder coated white with safety gliders SG 6148 (10/m) and SG 6149 (2/length) secured with end covers SG 6122 at either end. Ceiling fixed with self-drilling wood screws.

FITTING

A. FITTING INFORMATION

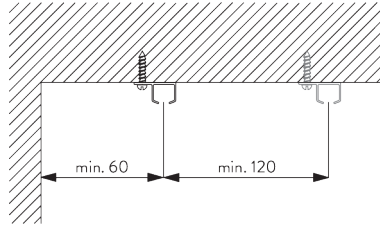
Fixing points

For detailed fitting information, visit the [Silent Gliss website](#).



B. CEILING FITTING

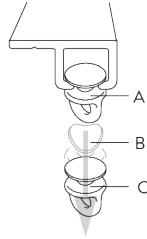
Direct fitting



SYSTEM SAFETY KEY PARTS

A. SAFETY RELEASE

FUNCTION



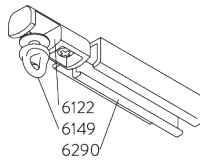
A: Gliders can easily be clicked into profile

B: Glider deforms under pressure

C: Release under following pull weights:

Glider SG 6148 yellow: releases between 4 - 6 kg

Glider SG 6149 blue: releases between 8 - 10 kg



SG 6122: Endstop (with end glider SG 6148 in place)

SG 6021 / SG 6290 system can assist in the prevention of self harm in hospitals, schools and psychiatric situations. Please see specific pull out weights on individual gliders. Please also note that the longer the individual track and the more gliders used, the cumulative total pull-out weight when in a stacked position will increase and therefore support more weight.

A risk assessment of the area should always be carried out.

GENERAL NOTES

Dimensions

- Measurements are in mm except where indicated.
- Max. kg relates to fabric incl. accessories.
- Stack size depends on curtain make-up and fabric thickness.
- Distance between gliders max. 80 mm / distance between rollers max. 100 mm.
- Recommended distance floor / fabric: 20 mm.
- In order to determine system height (B), the smallest room height must be taken into account.

Fitting

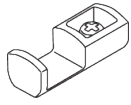
- Installation by qualified fitter only.
- Number of brackets and fitting positions / fixing points vary depending on fitting surface, system weight, fabric make-up, screw / fixing type and obstacles.
- Qualified fitter must use appropriate screws / fixings for each situation.
- Profile lip if applicable to be installed to room side.

Child Safety

- All relevant Silent Gliss systems correspond to child safety EN 13120.
- All parties involved must comply with EN 13120.

PARTS

A. STANDARD PARTS



SG 6122

End stop



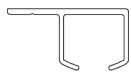
SG 6148

Safety Glider - yellow



SG 6149

Safety glider - blue



SG 6290p

Profile

B. OPTIONAL PARTS



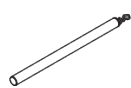
SG 3582

Hook



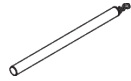
SG 3599

Hook



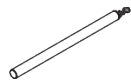
SG 10430

Draw rod 50 cm



SG 10431

Draw rod 75 cm



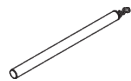
SG 10432

Draw rod 100 cm



SG 10433

Draw rod 125 cm



SG 10434

Draw rod 150 cm

