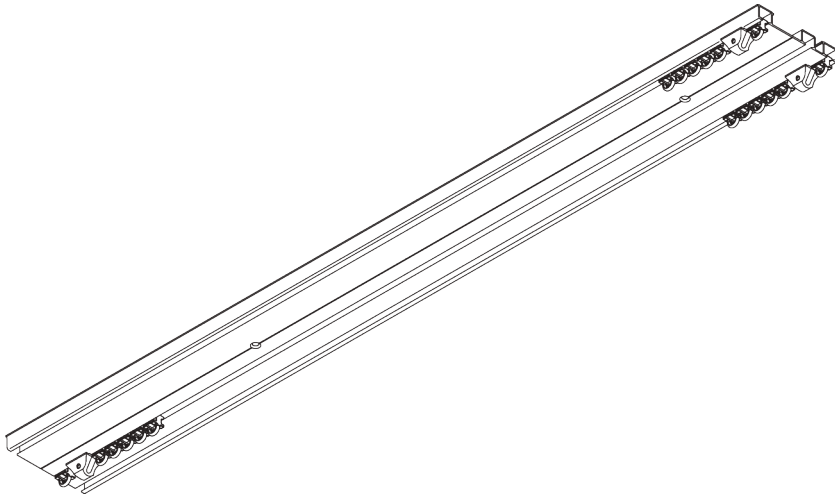
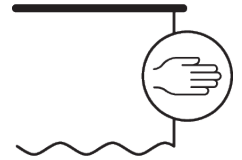


# SG 6293

---



## PRODUCT INFORMATION

- **Operation:** hand
- **Range:** M - L
- **Fitting:** ceiling
- **Colours:** white RAL 9016; special colours or anodised aluminum possible
- **Fabrics:** refer to Silent Gliss fabric collection

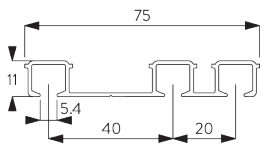
### **Features:**

- 2-component (2C) glider technology
- Pre-drilled profile

# SYSTEM SPECIFICATIONS

## A. PROFILE

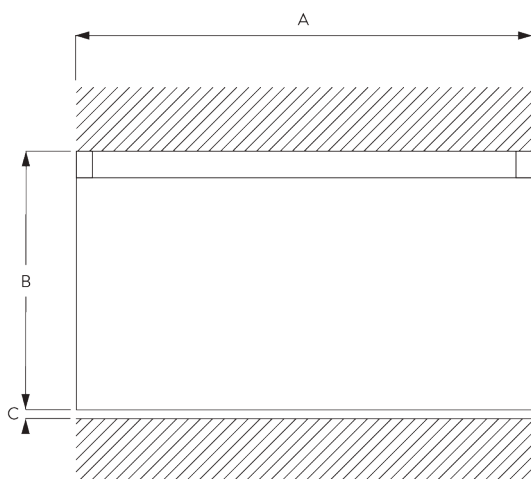
Profile information



SG 6293p

Profile

## B. HOW TO MEASURE



A: System width

B: System height

C: Distance between floor and fabric

## C. SPECIFICATION

TEXT

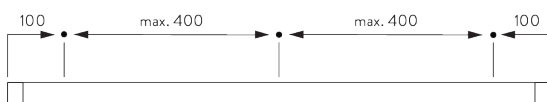
**Silent Gliss SG 6293 Hand Operated Curtain Track System.** Comprises aluminium profile SG 6293p supplied made to measure powder coated white, 2C gliders 11300 at 14/m and 2 end stops SG 6065 per length. Top fixed direct through track profile.

# FITTING

## A. FITTING INFORMATION

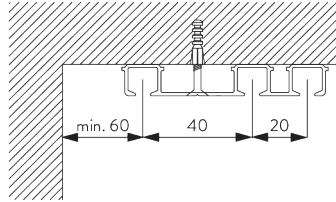
Fixing points

For detailed fitting information, visit the [Silent Gliss website](#).



## **B. CEILING FITTING**

### **Direct fitting**



# GENERAL NOTES

### **Dimensions**

- Measurements are in mm except where indicated.
- Max. kg relates to fabric incl. accessories.
- Stack size depends on curtain make-up and fabric thickness.
- Distance between gliders max. 80 mm / distance between rollers max. 100 mm.
- Recommended distance floor / fabric: 20 mm.
- In order to determine system height (B), the smallest room height must be taken into account.

### **Fitting**

- Installation by qualified fitter only.
- Number of brackets and fitting positions / fixing points vary depending on fitting surface, system weight, fabric make-up, screw / fixing type and obstacles.
- Qualified fitter must use appropriate screws / fixings for each situation.
- Profile lip if applicable to be installed to room side.

### **Child Safety**

- All relevant Silent Gliss systems correspond to child safety EN 13120.
- All parties involved must comply with EN 13120.

# PARTS

## A. STANDARD PARTS



**SG 6065**

End stop



**SG 6283**

Roller



**SG 6293p**

Profile



**SG 11300**

2C glider

## B. OPTIONAL PARTS



**SG 3582**

Hook



**SG 3599**

Hook



**SG 6053**

Spring stop



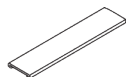
**SG 6094**

Roller



**SG 6098**

Roller



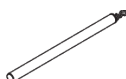
**SG 6269**

Connection bridge



**SG 6283**

Roller



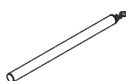
**SG 10430**

Draw rod 50 cm



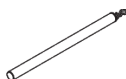
**SG 10431**

Draw rod 75 cm



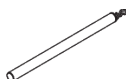
**SG 10432**

Draw rod 100 cm



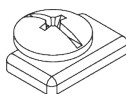
**SG 10433**

Draw rod 125 cm



**SG 10434**

Draw rod 150 cm



**SG 11295**

End stop



**SG 11301**

2C glider on strip