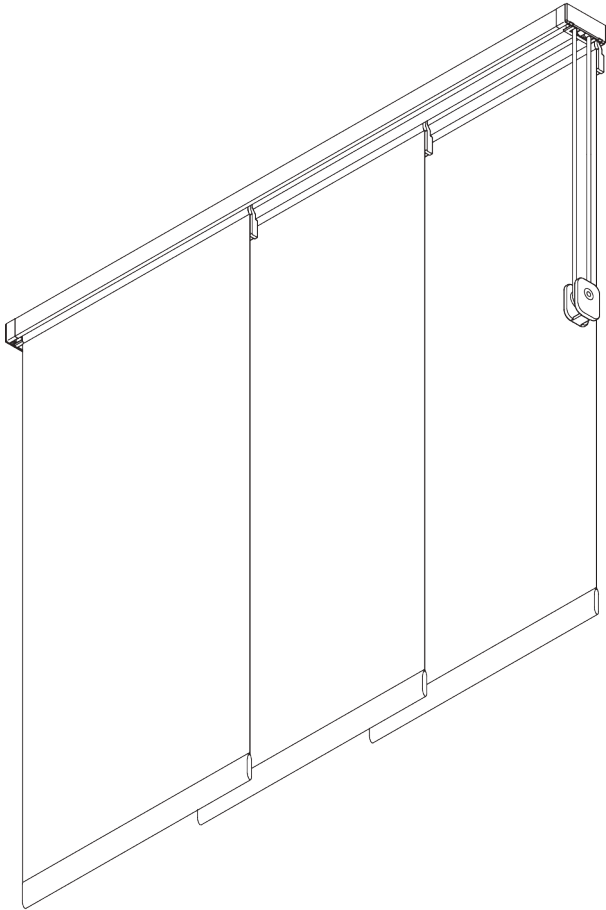
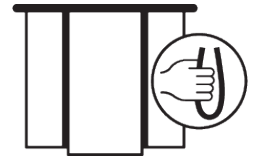


# SG 2710

---



## PRODUCT INFORMATION

- **Operation:** cord
- **Range:** S - L
- **Fitting:** ceiling, wall, recess
- **Colours:** white RAL 9016; special colours or anodised aluminum possible
- **Fabrics:** refer to Silent Gliss fabric collection

### **Features:**

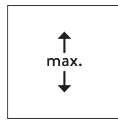
- 2-component (2C) roller technology
- Silent and smooth running
- Detachable fabric panels
- Aluminium carriers

# SYSTEM SPECIFICATIONS

## A. SYSTEM DIMENSIONS



6 m



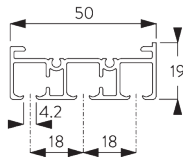
4 m



max. 2 kg per m

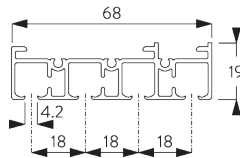
## B. PROFILE

### Profile information



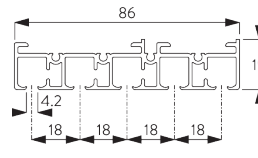
**SG 10123**

Profile 3-channel



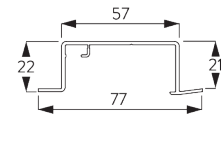
**SG 10124**

Profile 4-channel



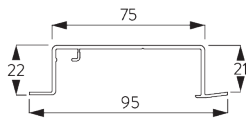
**SG 10125**

Profile 5-channel



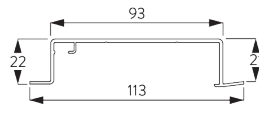
**SG 10173**

Recess profile 3-channel



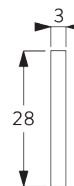
**SG 10174**

Recess profile 4-channel



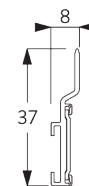
**SG 10175**

Recess profile 5-channel



**SG 2006**

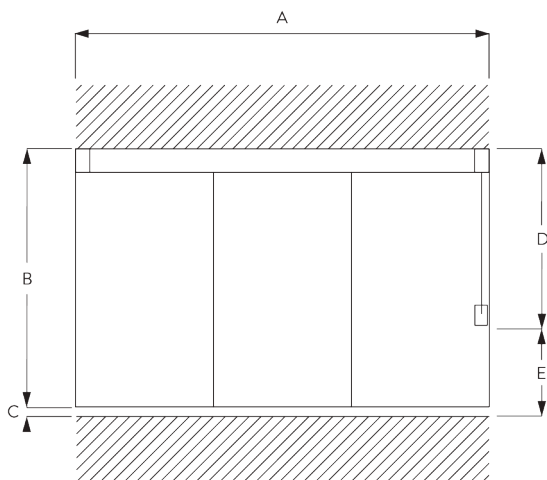
Bottom bar 28x3 mm



**SG 10230**

Carrier alu

## C. HOW TO MEASURE



A: System width

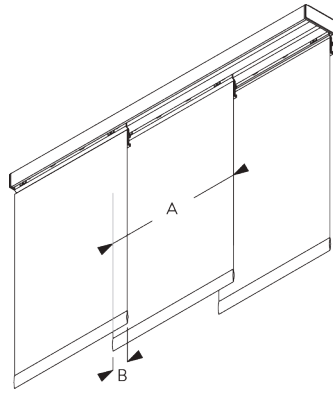
B: System height

C: Distance between floor and fabric

D: Cord height

E: Safety Retainer SG 10731 min. 150 cm above floor

## Dimensions of Panels



A: Recommended panel width: 500 - 1200

B: Overlap: min. 50

## D. SPECIFICATION

### TEXT

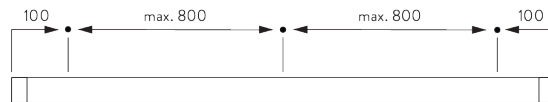
**Silent Gliss SG 2710 Cord Operated Panel Glide System.** Supplied made to measure and complete comprising profiles SG 10123 / SG 10124 / SG 10125 as necessary with carriers SG 10230 with associated components and bottom weight SG 2006. Fabric panels stack right hand single / left hand single / pair / centre. Cord operated. Ceiling fixed using clamps SG 3003 / SG 3004 or brackets SG 10136 / SG 10137. Wall fix with Smart Fix brackets SG 11200-11204 / Square Smart Fix brackets SG 11210-11214 / Universal Smart Fix brackets SG 11154 - 11156 with SG 10137 brackets. Recess fixed option with recess profile SG 10173 / SG 10174 / SG 10175. Compliant to Child Safety legislation EN 13120 when used in conjunction with Cord Retainer SG 10400. Fabric to be chosen from Silent Gliss fabric collection, Price Group 1 / 2 / 3 / 4.

# FITTING

## A. FITTING INFORMATION

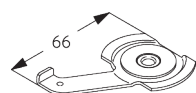
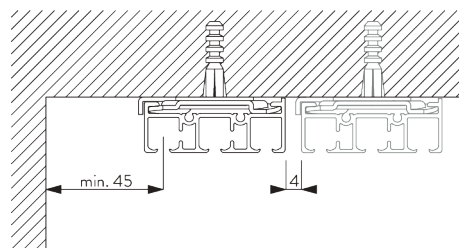
For detailed fitting information, visit the Silent Gliss website.

### Fixing points



## B. CEILING FITTING

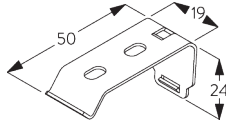
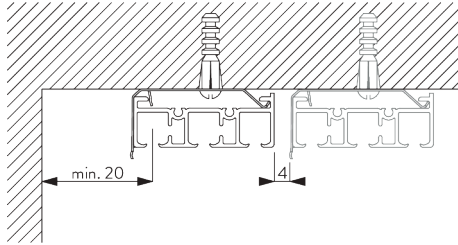
### Clamp SG 3003



**SG 3003**

Clamp

## Bracket SG 10137



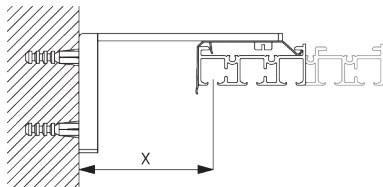
### SG 10137

Bracket

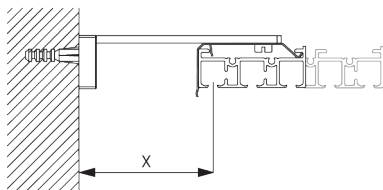
Bracket	SG 10123	SG 10124
SG 10137	X	X

## C. WALL FITTING

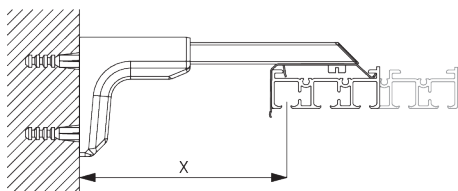
### Smart Fix



**Smart Fix SG 11200 - SG 11204:**  
Screw SG 10395 (M4x6) needed.

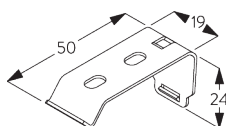


**Square Smart Fix SG 11210 - SG 11214:**  
Screw SG 10395 (M4x6) needed.



**Universal Smart Fix 11154 - SG 11156:**  
Screw SG 10492 (M4x8) needed.

Smart Fix	X mm (SG 10123)	X mm (SG 10124)	X mm (SG 10125)
SG 11200 / SG 11210	24	24	24
SG 11201 / SG 11211	44	44	44
SG 11202 / SG 11212	64	64	64
SG 11203 / SG 11213	84	84	84
SG 11204 / SG 11214	114	114	114
SG 11154	74-102	74-102	74-102
SG 11155	104-132	104-132	104-132
SG 11156	154-182	154-182	154-182



### SG 10137

Bracket



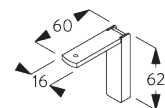
### SG 10395

Pan head screw M4x6



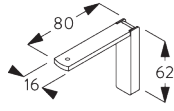
### SG 10492

Pan head screw M4x8

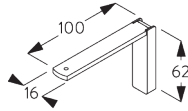


### SG 11200

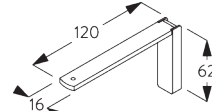
Smart Fix 60 mm



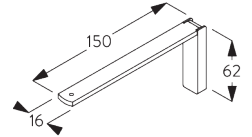
**SG 11201**  
Smart Fix 80 mm



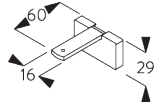
**SG 11202**  
Smart Fix 100 mm



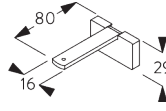
**SG 11203**  
Smart Fix 120 mm



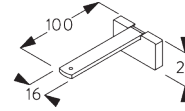
**SG 11204**  
Smart Fix 150 mm



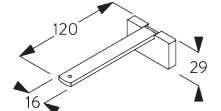
**SG 11210**  
Square Smart Fix 60 mm



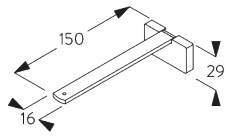
**SG 11211**  
Square Smart Fix 80 mm



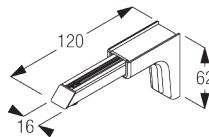
**SG 11212**  
Square Smart Fix 100 mm



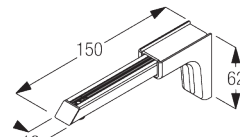
**SG 11213**  
Square Smart Fix 120 mm



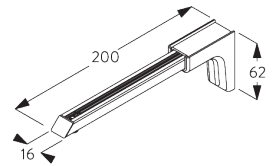
**SG 11214**  
Square Smart Fix 150 mm



**SG 11154**  
Universal Smart Fix 120 mm



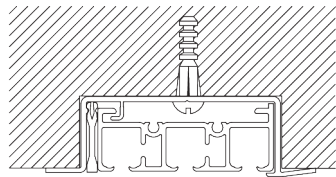
**SG 11155**  
Universal Smart Fix 150 mm



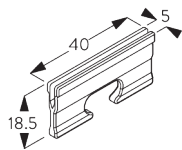
**SG 11156**  
Universal Smart Fix 200 mm

## D. RECESS FITTING

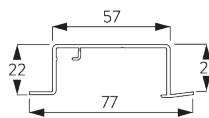
### Recess profiles SG 10173 - SG 10175



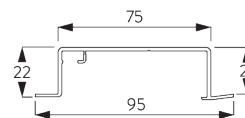
One wedge SG 10157 per fixing point.  
For detailed recess fitting, visit the Silent Gliss website.



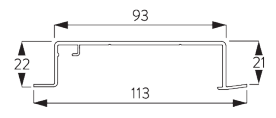
**SG 10157**  
Wedge



**SG 10173**  
Recess profile 3-channel



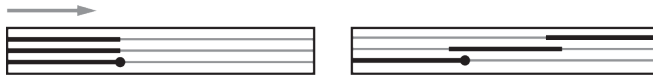
**SG 10174**  
Recess profile 4-channel



**SG 10175**  
Recess profile 5-channel

# SYSTEM OPTIONS

## A. PANEL STACKING



Single stack  
Note: dot = fixed panel



Pair stack  
Note: dot = fixed panel

Other variations are possible.

# GENERAL NOTES

## Dimensions

- Measurements are in mm except where indicated.
- Max. kg relates to fabric incl. accessories.
- Stack size depends on panel width.
- Recommended distance floor / fabric: 20 mm.
- In order to determine system height (B), the smallest room height must be taken into account.

## Fitting


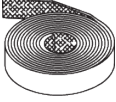



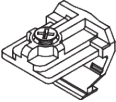
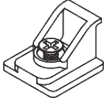
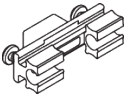
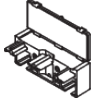
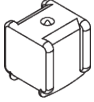

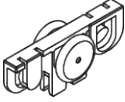


- Installation by qualified fitter only.
- Number of brackets and fitting positions / fixing points vary depending on fitting surface, system weight, fabric make-up, screw / fixing type and obstacles.
- Qualified fitter must use appropriate screws / fixings for each situation.
- Profile lip if applicable to be installed to room side.
- Electrical installations must be carried out according to Silent Gliss wiring diagrams and conform to local regulations.
- Check space for cables and plugs!

## Child Safety

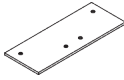
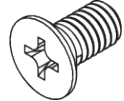


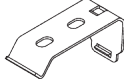
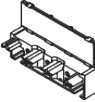
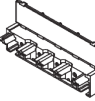
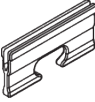




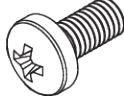
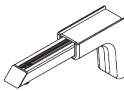
- All relevant Silent Gliss systems correspond to child safety EN 13120.
- All parties involved must comply with EN 13120.

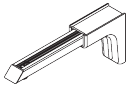
# PARTS

## A. STANDARD PARTS

	<b>SG 2006</b> Bottom bar 28x3 mm
	<b>SG 2539</b> Tape
	<b>SG 3003</b> Clamp
	<b>SG 3090</b> Cord ø 3.5 mm
	<b>SG 10123</b> Profile 3-channel
	<b>SG 10140</b> Angle
	<b>SG 10146</b> Angle
	<b>SG 10150</b> Pilot runner
	<b>SG 10153</b> Cord guide
	<b>SG 10156</b> End stop
	<b>SG 10159</b> Countersunk head screw 3.5x13
	<b>SG 10200</b> 2C roller
	<b>SG 10230</b> Carrier alu
	<b>SG 10252</b> End cover left

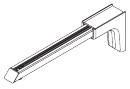
## B. OPTIONAL PARTS

	<b>SG 6024</b> Connection bridge
	<b>SG 10074</b> Countersunk head screw M4x8
	<b>SG 10124</b> Profile 4-channel
	<b>SG 10125</b> Profile 5-channel
	<b>SG 10137</b> Bracket
	<b>SG 10154</b> Cord guide
	<b>SG 10155</b> Cord guide
	<b>SG 10157</b> Wedge
	<b>SG 10173</b> Recess profile 3-channel
	<b>SG 10174</b> Recess profile 4-channel
	<b>SG 10175</b> Recess profile 5-channel
	<b>SG 10395</b> Pan head screw M4x6
	<b>SG 10492</b> Pan head screw M4x8
	<b>SG 11154</b> Universal Smart Fix 120 mm



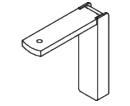
**SG 11155**

*Universal Smart Fix 150 mm*



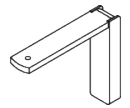
**SG 11156**

*Universal Smart Fix 200 mm*



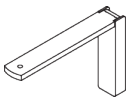
**SG 11200**

*Smart Fix 60 mm*



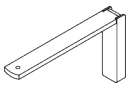
**SG 11201**

*Smart Fix 80 mm*



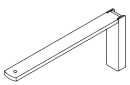
**SG 11202**

*Smart Fix 100 mm*



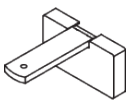
**SG 11203**

*Smart Fix 120 mm*



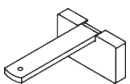
**SG 11204**

*Smart Fix 150 mm*



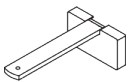
**SG 11210**

*Square Smart Fix 60 mm*



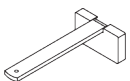
**SG 11211**

*Square Smart Fix 80 mm*



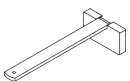
**SG 11212**

*Square Smart Fix 100 mm*



**SG 11213**

*Square Smart Fix 120 mm*



**SG 11214**

*Square Smart Fix 150 mm*