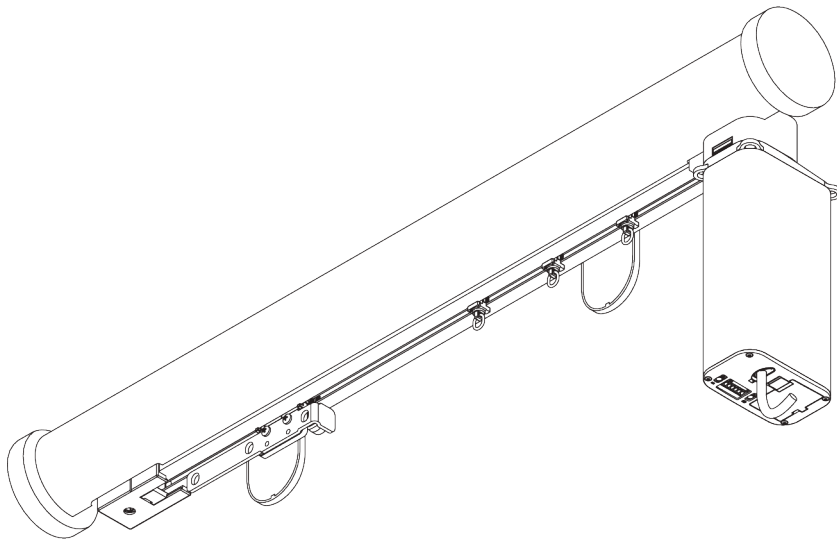
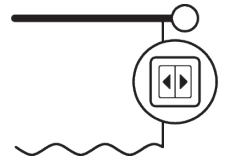


SG 6150M



PRODUCT INFORMATION

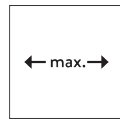
- **Operation:** motorised
- **Range:** S - L
- **Fitting:** ceiling, wall
- **Colours:** white RAL 9016, various colours / finishes
- **Fabrics:** refer to Silent Gliss fabric collection

Features:

- 2-component (2C) roller technology
- Wave (2C)
- 2 motor options
- Various control options
- Touch & Go
- Manual override
- Matching endcaps and brackets / bracket covers
- Range of decorative finials

SYSTEM SPECIFICATIONS

A. SYSTEM DIMENSIONS



6 m



45 kg

Maximum curtain weight - SG 5100

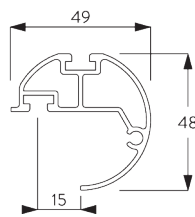
	Application with rollers		Application with Wave gliders	
	3 m	6 m	3 m	6 m
	20	25	20	20
	20	25	20	20
	(kg max.)		(kg max.)	

Maximum curtain weight - SG 5600

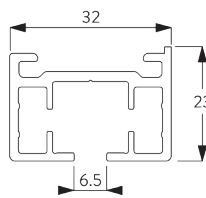
	Application with rollers / Wave rollers		Application with Wave gliders	
	2 m	6 m	2 m	6 m
	25	45	20	25
	25	45	20	25
	(kg max.)		(kg max.)	

B. PROFILE

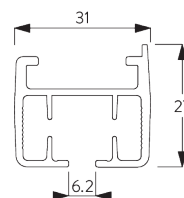
Profile Information



SG 20360
Profile

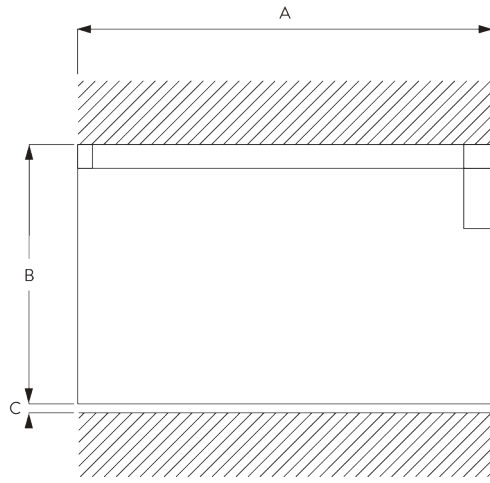


SG 10850
Profile



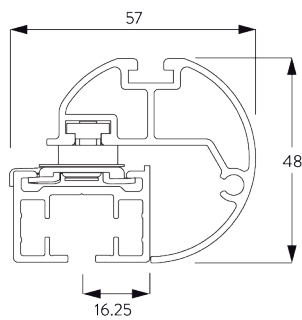
SG 10925
Profile

**C. HOW TO
MEASURE**

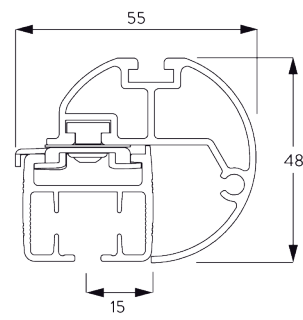


A: System width includes finials
B: System height
C: Distance between floor and fabric

Profile cross sections



SG 6150 with electric curtain track SG 5600



SG 6150 with electric curtain track SG 5100

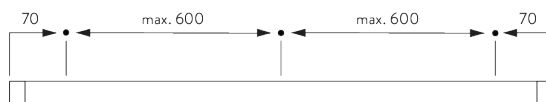
**D. SPECIFICATION
TEXT**

Silent Gliss SG 6150 'Metropole' electrically operated curtain track system. Comprises 50mm aluminium profile SG 20360 supplied made to measure with SG electric track system SG 5600 / SG 5100 (refer to Silent Gliss for technical catalogue for motor and control options). Supplied as standard with wall 'face' fix Maxi brackets SG 20334 at max. 600mm centres. Optional wall fix brackets SG 11206-11208 / SG 11216-11218 / SG 11209 / Blok bracket SG 20989. Ceiling 'top' fix with fixing plate SG 6152 / SG 20335 at max.600mm centres. Finished in Black, White, Matt White, Ecru, Slate Grey, Antique Bronze, Silver Anodised, Anodic Grey and Taupe. A range of decorative finials are available. Silent Gliss Wave option is available using - for SG 5100 track system 60mm glider cord SG 10906 / 80mm glider cord SG 10905 - for SG 5600 track system 80mm glider cord SG 10905 / 60 mm glider cord SG 10906 / 60mm wave 2C roller glider cord SG 10869 / 80mm wave 2C roller glider cord SG 10852.

FITTING

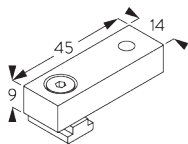
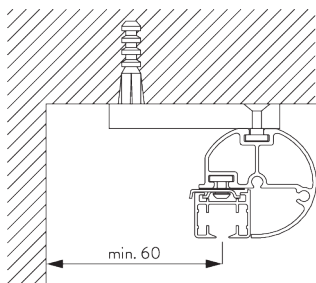
**A. FITTING
INFORMATION**

For detailed fitting information, visit the Silent Gliss website.



B. CEILING FITTING

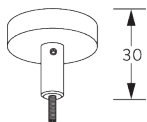
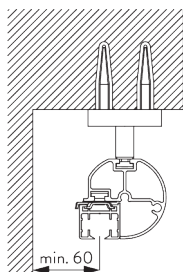
Support SG 6152



SG 6152

Ceiling support set 9 mm

Top fix bracket SG 20335

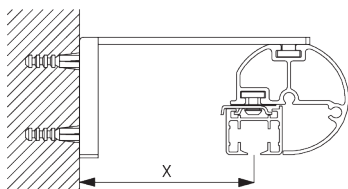


SG 20335

Top fix bracket

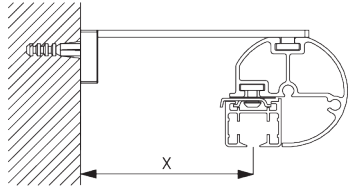
C. WALL FITTING

Smart Fix

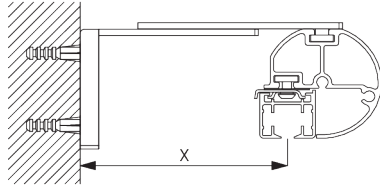


Smart Fix with slot SG 11206 - SG 11208 and SG 6141:
Screw SG 20798 (M4x10) needed.

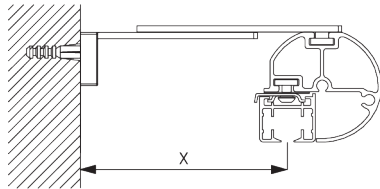
Smart Fix	X mm
SG 11206 / SG 11216	51
SG 11207 / SG 11217	71
SG 11208 / SG 11218	91
SG 11209 / SG 11472	80-100



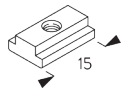
Square Smart Fix with slot SG 11216 - SG 11218 and SG 6141:
Screw SG 20798 (M4x10) needed.



Adjustable Smart Fix SG 11209 and SG 6141:
Screw SG 6784 (M4x8) needed.



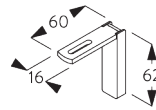
Adjustable Square Smart Fix SG 11472 and SG 6141:
Screw SG 6784 (M4x8) needed.



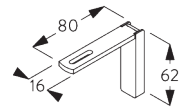
SG 6141
Clamping piece



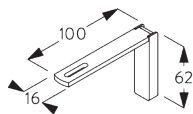
SG 6784
Hexagon socket countersunk screw M4x8 mm



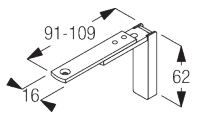
SG 11206
Smart Fix with slot 60 mm



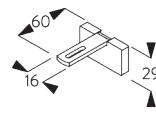
SG 11207
Smart Fix with slot 80 mm



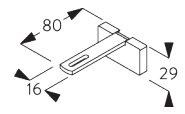
SG 11208
Smart Fix with slot 100 mm



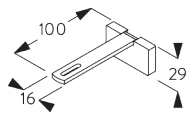
SG 11209
Adjustable Smart Fix



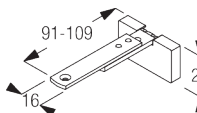
SG 11216
Square Smart Fix with slot 60 mm



SG 11217
Square Smart Fix with slot 80 mm



SG 11218
Square Smart Fix with slot 100 mm

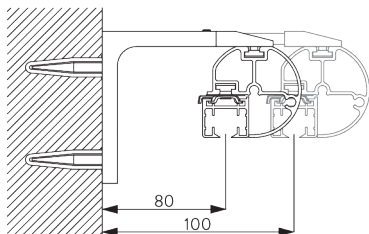


SG 11472
Adjustable Square Smart Fix



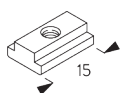
SG 20798
Hexagon socket countersunk screw M4x10 mm

**Maxi adjustable
bracket SG 20334**

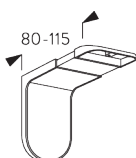


Screw SG 20798 (M4x10) needed.

Note: all 50 mm Metropole are supplied with maxi adjustable bracket SG 20334 as standard.



SG 6141
Clamping piece

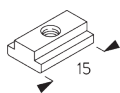
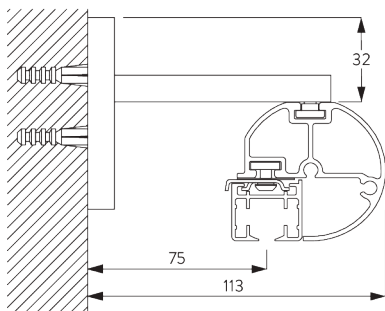


SG 20334
Maxi adjustable bracket

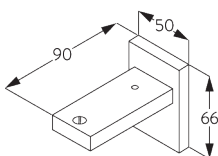


SG 20798
Hexagon socket countersunk
screw M4x10 mm

**Blok bracket
SG 20989**



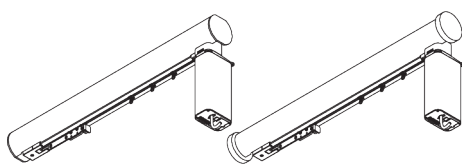
SG 6141
Clamping piece



SG 20989
Blok bracket

DESIGN & SYSTEM OPTIONS

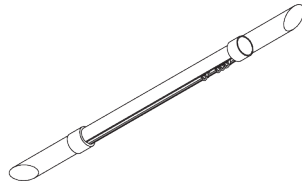
A. ENDCAPS



Without finials, poles are supplied as standard with flush fitting endcaps SG 20350 (left).

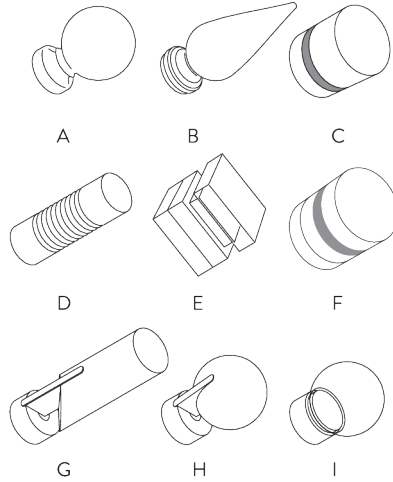
Alternatively, stud endcaps SG 20714 (right) can be selected at no additional cost.

B. FINIALS



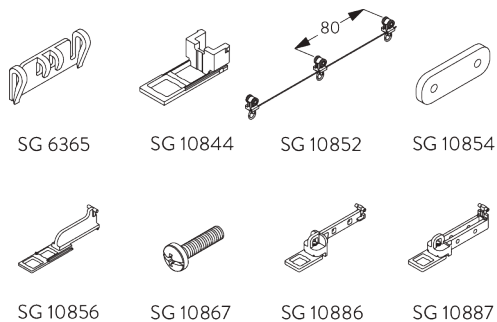
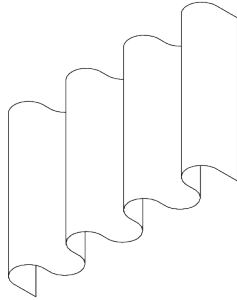
Finials are decorative elements that fit on at the end of the pole.

Please refer to the Metropole brochure for full range details.



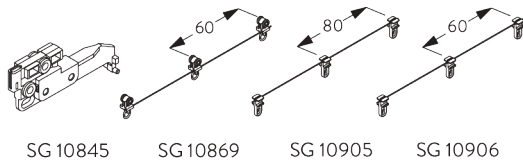
- A: SG 20717 Ball End 125 mm
- B: SG 20718 Real Wood Spear 150 mm
- C: SG 20697 Strata 65 mm
- D: SG 20630 Groove Cylinder 125 mm
- E: SG 20898 Crystal Cube 55 mm
(green, black, brown)
- F: SG 20899 Crystal Cylinder 55 mm
(green, black, brown)
- G: SG 20315 Fused Barrel 121 mm
(walnut, oak, colour matched)
- H: SG 20327 Fused Ball 81 mm
(walnut, oak, colour matched)
- I: SG 20333 Glass Ball 70 mm
(clear, frosted)

C. WAVE WITH SG 5600

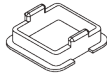


Standard components with SG 5600:

- SG 6365 Wave hanger
- SG 10844 Wave end stop
- SG 10852 Wave 2C roller cord, 80 mm
- SG 10854 Wave overlap arm support
- SG 10856 Wave end stop, belt return
- SG 10867 Panhead screw
- SG 10886 Wave extension
- SG 10887 Wave overlap arm set



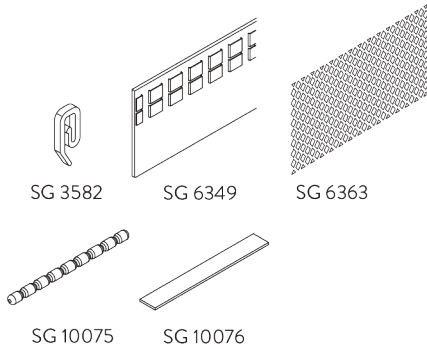
SG 10845 SG 10869 SG 10905 SG 10906



SG 10924

Optional components with SG 5600:

- SG 10845 Wave master carrier single stack 80 mm
- SG 10869 Wave 2C roller cord, 60 mm (no single stack)
- SG 10905 Wave glider cord, 80 mm
- SG 10906 Wave glider cord, 60 mm (no single stack)
- SG 10924 Wave glider support

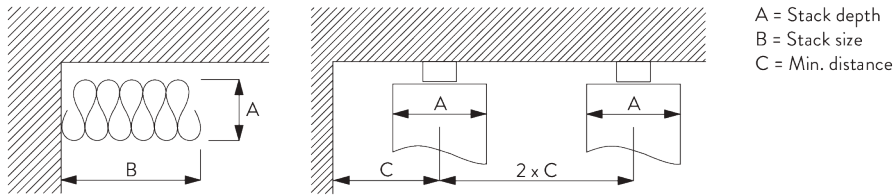


SG 3582 SG 6349 SG 6363
SG 10075 SG 10076

Curtain components with SG 5600:

- SG 3582 Hook
- SG 6349 Wave curtain tape
- SG 6363 Wave top hemming tape
- SG 10075 Lead weight 50 gr/m
- SG 10076 Fabric weight

Wave stack depth - 2C roller / glider cord (standard components)



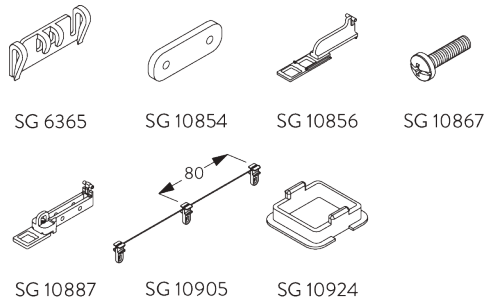
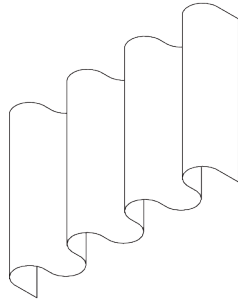
A = Stack depth
B = Stack size
C = Min. distance

Roller / glider cord SG 10852 / 10905	Pockets between hooks	Approx. curtain fullness	Stack depth A	Stack size B*	Min distance C
80	6	~2.1	140	210 per metre of track	90
80	7	~2.3	160	210 per metre of track	100

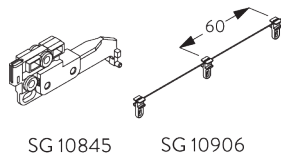
Roller / glider cord SG 10869 / 10906	Pockets between hooks	Approx. curtain fullness	Stack depth A	Stack size B*	Min distance C
60	4	~2.1	100	260 per metre of track	70
60	5	~2.3	120	260 per metre of track	80

*Stack size B plus 195 mm for each curtain stack

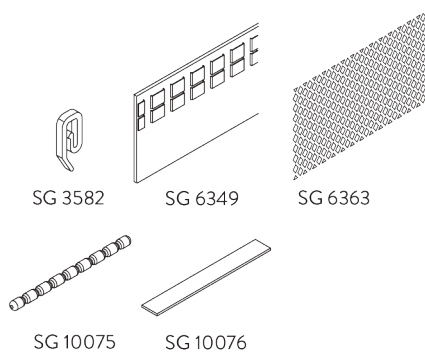
**D. WAVE WITH
SG 5100**



- Standard components with SG 5100:*
- SG 6365 Wave hanger
 - SG 10854 Wave overlap arm support
 - SG 10856 Wave end stop, belt return
 - SG 10867 Panhead screw
 - SG 10887 Wave overlap arm set
 - SG 10905 Wave glider cord 80 mm
 - SG 10924 Wave glider support

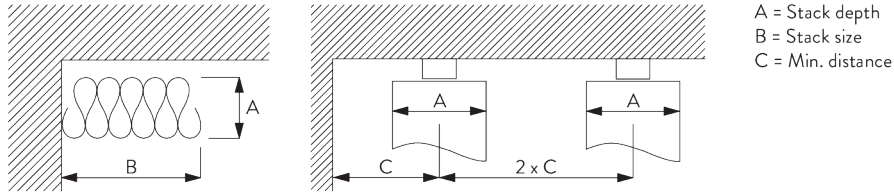


- Optional components with SG 5100:*
- SG 10845 Wave master carrier single stack 80 mm
 - SG 10906 Wave glider cord 60 mm (no single stack)



- Curtain components with SG 5100:*
- SG 3582 Hook
 - SG 6349 Wave curtain tape
 - SG 6363 Wave top hemming tape
 - SG 10075 Lead weight 50 gr/m
 - SG 10076 Fabric weight

Wave stack depth - glider cord (standard components)



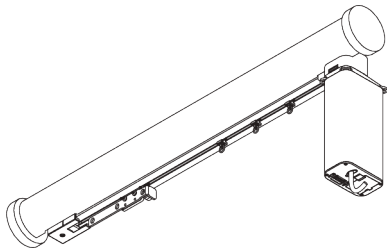
Glider cord SG 10905	Pockets between hooks	Approx. curtain fullness	Stack depth A	Stack size B*	Min distance C
80	6	~2.1	140	180 per metre of track	90
80	7	~2.3	160	180 per metre of track	100

Glider cord SG 10906	Pockets between hooks	Approx. curtain fullness	Stack depth A	Stack size B*	Min distance C
60	4	~2.1	100	230 per metre of track	70
60	5	~2.3	120	230 per metre of track	80

*Stack size B plus 195 mm for each curtain stack

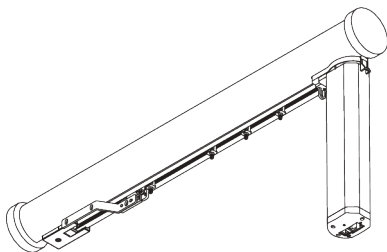
MOTORS & CONTROLS

Electric curtain track system SG 5600



For detailed motor features and specifications and control options, refer to SG 5600 catalogue.

Electric curtain track system SG 5100



For detailed motor features and specifications and control options, refer to SG 5100 catalogue.

GENERAL NOTES

Dimensions

- Measurements are in mm except where indicated.
- Max. kg relates to fabric incl. accessories.
- Stack size depends on curtain make-up and fabric thickness.
- Distance between gliders max. 80 mm / distance between rollers max. 100 mm.
- Recommended distance floor / fabric: 20 mm.
- In order to determine system height (B), the smallest room height must be taken into account.
- Full functionality may be affected if the curtain touches the profile.

Fitting

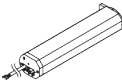
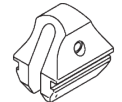
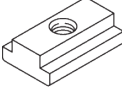
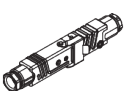
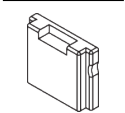
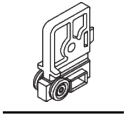
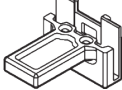
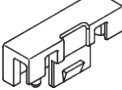
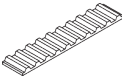
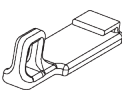
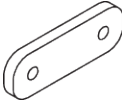
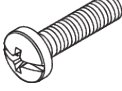
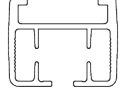

- Installation by qualified fitter only.
- Number of brackets and fitting positions / fixing points vary depending on fitting surface, system weight, fabric make-up, screw / fixing type and obstacles.
- Qualified fitter must use appropriate screws / fixings for each situation.
- Profile lip if applicable to be installed to room side.
- Electrical installations must be carried out according to Silent Gliss wiring diagrams and conform to local regulations.

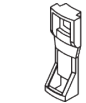

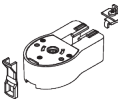
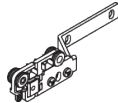
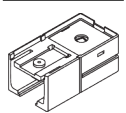
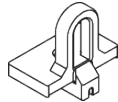


Child Safety

- All relevant Silent Gliss systems correspond to child safety EN 13120.
- All parties involved must comply with EN 13120.



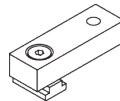



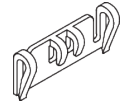
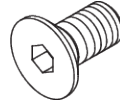
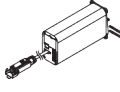
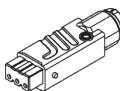

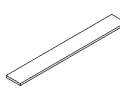
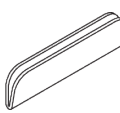
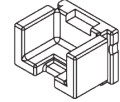
PARTS

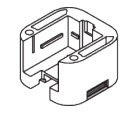
A. STANDARD PARTS

	SG 5190 Motor 100-240V AC, 1/130, radio receiver
	SG 6086 Spring stop
	SG 6141 Clamping piece
	SG 9916 Hirschmann plug set
	SG 10815 Cover
	SG 10822 Master carrier
	SG 10823 Belt connector arm
	SG 10824 Belt connector pin
	SG 10825 Belt
	SG 10836 Mask pair stack
	SG 10854 Wave overlap plate
	SG 10867 Pan head screw Freedriv M4x16
	SG 10925 Profile
	SG 10926 Clamp

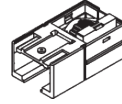
	SG 10927 Hook
	SG 10931 Roller
	SG 10933 Gear drive set
	SG 10936 Overlap arm
	SG 10940 Guide return
	SG 10945 End stop
	SG 20350 Flus endcap 50 mm
	SG 20360 Profile

B. OPTIONAL PARTS

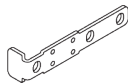
	SG 3004 Clamp
	SG 3582 Hook
	SG 6152 Ceiling support set 9 mm
	SG 6283 Roller
	SG 6349 Wave curtain tape
	SG 6363 Wave top hemming tape
	SG 6365 Wave hanger
	SG 6784 Hexagon socket countersunk screw M4x8 mm
	SG 9060 Motor 100-250V AC & 24V DC
	SG 9917 Hirschmann portable socket-outlet STAK 3 N
	SG 10075 Lead weight 50 g/m
	SG 10076 Fabric weight
	SG 10725 Programming distance holder
	SG 10816 Cover



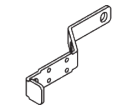
SG 10817
Motor holder



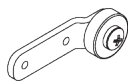
SG 10819
Belt return



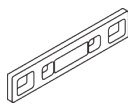
SG 10820
Overlap arm



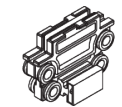
SG 10821
Overlap arm



SG 10826
Overlap arm support



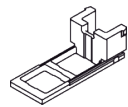
SG 10837
Pilot runner



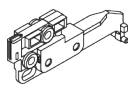
SG 10838
Pilot runner



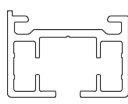
SG 10840
2C roller



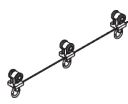
SG 10844
Wave end stop



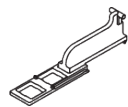
SG 10845
Wave master carrier



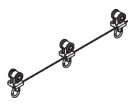
SG 10850
Profile



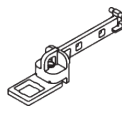
SG 10852
Wave 2C roller cord 80 mm



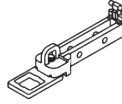
SG 10856
Wave extension



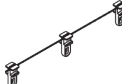
SG 10869
Wave 2C roller cord 60 mm



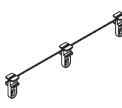
SG 10886
Wave extension



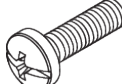
SG 10887
Wave extension



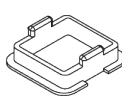
SG 10905
Wave glider cord 80 mm



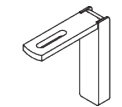
SG 10906
Wave glider cord 60 mm



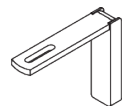
SG 10923
Pan head screw Freedriv M4x12



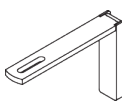
SG 10924
Wave glider support



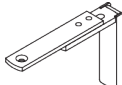
SG 11206
Smart Fix with slot 60 mm



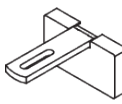
SG 11207
Smart Fix with slot 80 mm



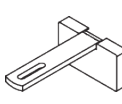
SG 11208
Smart Fix with slot 100 mm



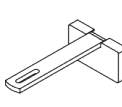
SG 11209
Adjustable Smart Fix



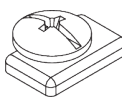
SG 11216
Square Smart Fix with slot 60 mm



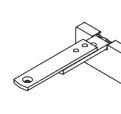
SG 11217
Square Smart Fix with slot 80 mm



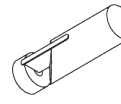
SG 11218
Square Smart Fix with slot 100 mm



SG 11295
End stop



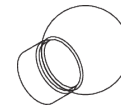
SG 11472
Adjustable Square Smart Fix



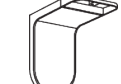
SG 20315
Fused barrel 121 mm



SG 20327
Fused ball 81 mm



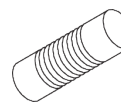
SG 20333
Glass ball 70 mm



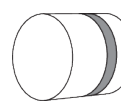
SG 20334
Maxi adjustable bracket



SG 20335
Top fix bracket



SG 20630
Groove cylinder 135 mm



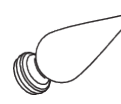
SG 20697
Strata 65 mm



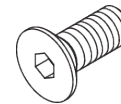
SG 20714
Stud endcap 50 mm



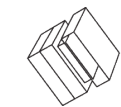
SG 20717
Ball end 125 mm



SG 20718
Real wood spear 150 mm



SG 20798
Hexagon socket countersunk screw
M4x10 mm



SG 20898
Crystal cube 85 mm



SG 20899
Crystal cylinder 55 mm

