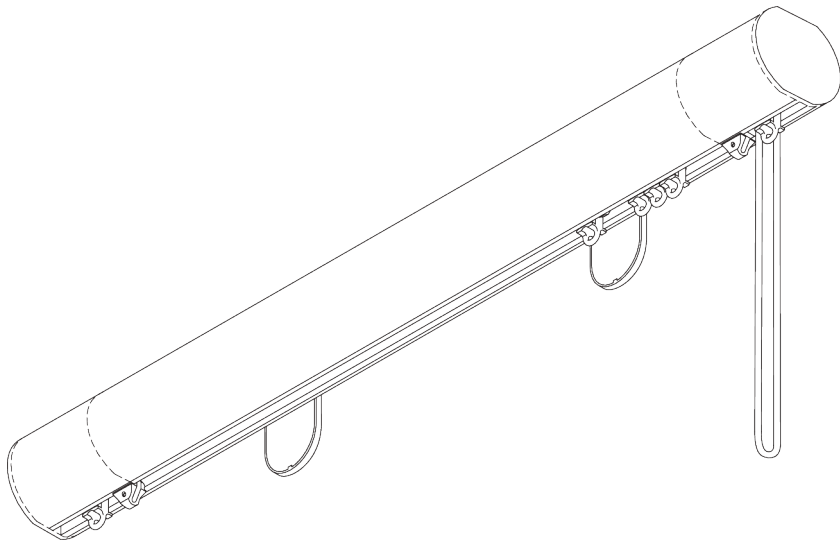
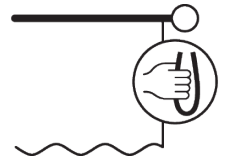


# SG 6160M

---



## PRODUCT INFORMATION

- **Operation:** cord
- **Range:** M - L
- **Fitting:** ceiling, wall
- **Colours:** white RAL 9016, various colours / finishes
- **Fabrics:** refer to Silent Gliss fabric collection

### **Features:**

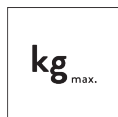
- 2-component (2C) glider technology
- Wave (2C)
- Matching endcaps and brackets / bracket covers
- Range of decorative finials
- Bendable

# SYSTEM SPECIFICATIONS

## A. SYSTEM DIMENSIONS



6 m



13 kg

## Max. curtain weights

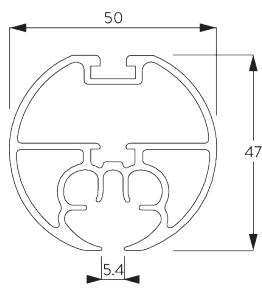
	Standard Application with Glider						Standard Application with Roller/ Wave Roller					
	1 m	2 m	3 m	4 m	5 m	6 m	1 m	2 m	3 m	4 m	5 m	6 m
	9	9	8	8	7	7	12	11	11	11	10	10
	10	10	9	9	8	8	13	13	12	11	11	10
	7	7	6	6	5	5	9	8	8	8	7	7
	8	8	7	7	6	6	10	9	9	9	8	8
	4	4	3	3	2	2	6	5	5	5	4	4
	5	5	4	4	3	3	7	6	6	6	5	5
	3	3	2	2	1	1	5	4	4	4	3	3
	4	4	3	3	2	2	6	5	5	5	4	4

(kg max.)

(kg max.)

## B. PROFILE

### Profile and bending informationn

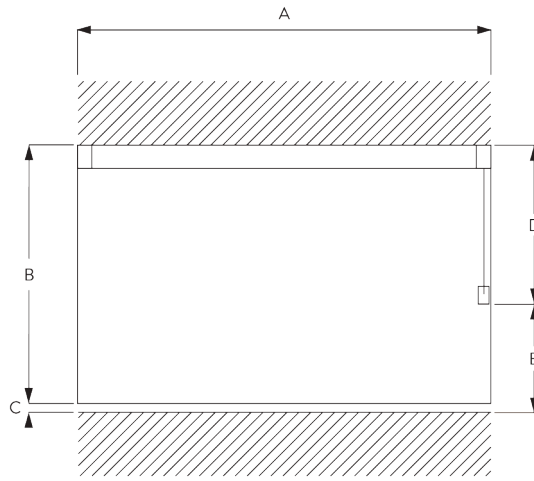


SG 20701

Tube 50 mm

Radius:  
✓ >68 cm

**C. HOW TO  
MEASURE**



- A: System width
- B: System height
- C: Distance between floor and fabric
- D: Cord height
- E: Safety Retainer SG 10731 min. 150 cm above floor

**D. SPECIFICATION  
TEXT**

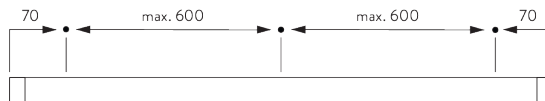
**Silent Gliss SG 6160 'Metropole' cord operated curtain track system.** Comprises 50mm aluminium profile SG 20701 supplied made to measure with 2C gliders SG 11300 at 14/m, 2 no. flush end covers SG 20350, cording set SG 20347, overlap SG 6063 and cord SG 3091. Supplied as standard with wall 'face' fix Maxi brackets SG 20334 at max. 600mm centres. Optional wall fix brackets SG11206-11208 / SG 11216-11218 / SG 11209 / Blok bracket SG 20989. Ceiling 'top' fix with bracket SG 6152 / SG 20335 at max. 600mm centres. Finished in Black, White, Matt White, Ecru, Slate Grey, Antique Bronze, Anodic Grey and Taupe. A range of decorative finials are available. Silent Gliss Wave option is available using 60mm glider cord SG 11303 / 80mm glider cord SG 11302 / 80mm roller glider cord SG 6099. Compliant to Child Safety legislation EN 13120.

**FITTING**

**A. FITTING  
INFORMATION**

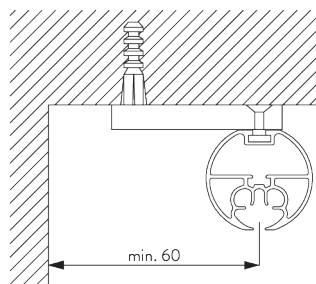
For detailed fitting information, visit the Silent Gliss website.

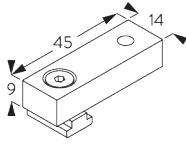
**Fixing points**



**B. CEILING FITTING**

**Support SG 6152**

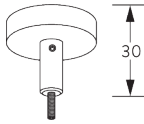
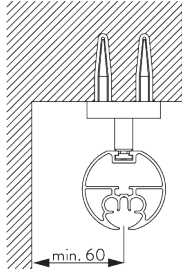




**SG 6152**

Ceiling support set 9 mm

**Top fix bracket  
SG 20335**

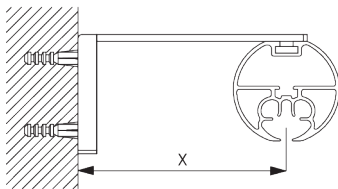


**SG 20335**

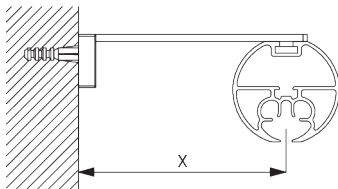
Top fix bracket

**C. WALL FITTING**

**Smart Fix**

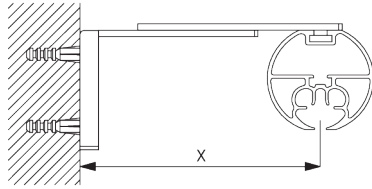


**Smart Fix with slot SG 11206 - SG 11208 and SG 6141:**  
Screw SG 20798 (M4x10) needed.

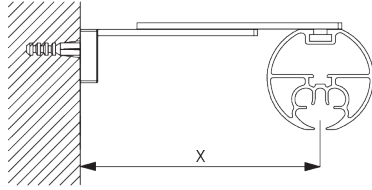


**Square Smart Fix with slot SG 11216 - SG 11218  
and SG 6141:**  
Screw SG 20798 (M4x10) needed.

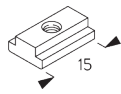
Smart Fix	X mm
SG 11206 / SG 11216	51
SG 11207 / SG 11217	71
SG 11208 / SG 11218	91
SG 11209 / SG 11472	80-100



**Adjustable Smart Fix SG 11209 and SG 6141:**  
Screw SG 6784 (M4x8) needed.



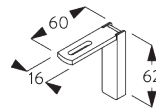
**Adjustable Square Smart Fix SG 11472 and SG 6141:**  
Screw SG 6784 (M4x8) needed.



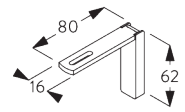
**SG 6141**  
Clamping piece



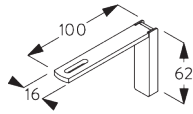
**SG 6784**  
Hexagon socket countersunk screw M4x8 mm



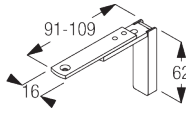
**SG 11206**  
Smart Fix with slot 60 mm



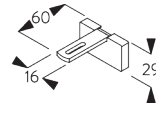
**SG 11207**  
Smart Fix with slot 80 mm



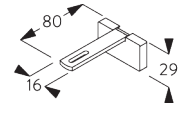
**SG 11208**  
Smart Fix with slot 100 mm



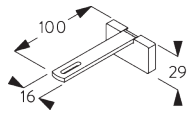
**SG 11209**  
Adjustable Smart Fix



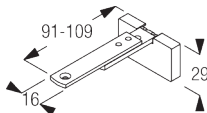
**SG 11216**  
Square Smart Fix with slot 60 mm



**SG 11217**  
Square Smart Fix with slot 80 mm



**SG 11218**  
Square Smart Fix with slot 100 mm

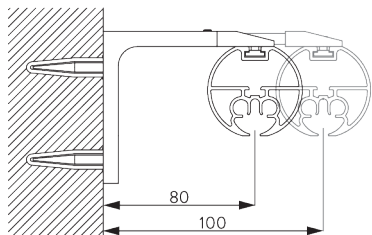


**SG 11472**  
Adjustable Square Smart Fix



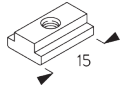
**SG 20798**  
Hexagon socket countersunk screw M4x10 mm

## Maxi adjustable bracket SG 20334

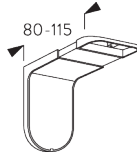


Screw SG 20798 (M4x10) needed.

Note: all 50 mm Metropole are supplied with maxi adjustable bracket SG 20334 as standard.



**SG 6141**  
Clamping piece

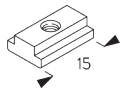
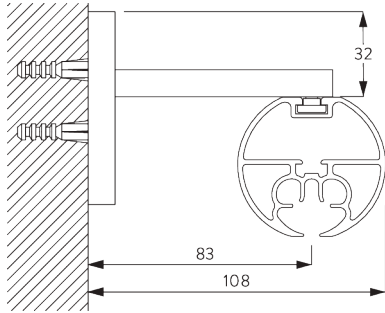


**SG 20334**  
Maxi adjustable bracket

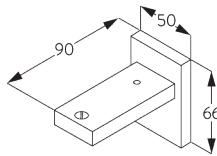


**SG 20798**  
Hexagon socket countersunk screw M4x10 mm

**Blok bracket  
SG 20989**



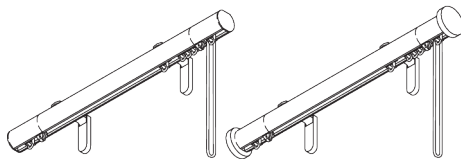
**SG 6141**  
Clamping piece



**SG 20989**  
Blok bracket

# DESIGN & SYSTEM OPTIONS

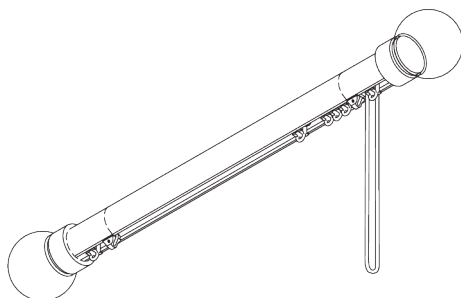
## A. ENDCAPS



Without finials, poles are supplied as standard with flush fitting endcaps SG 20350 (left).

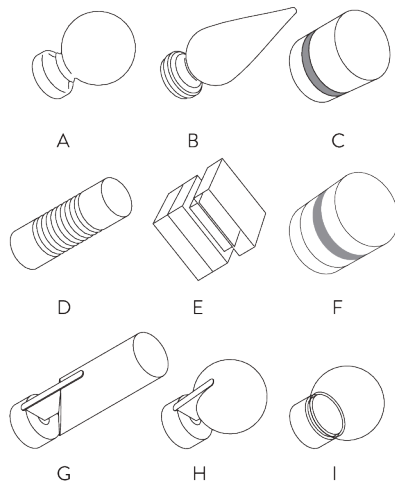
Alternatively, stud endcaps SG 20714 (right) can be selected at no additional cost.

## B. FINIALS



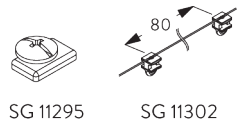
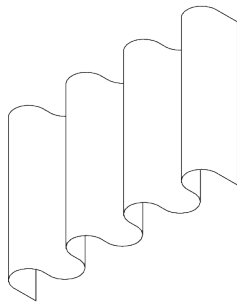
Finials are decorative elements that fit on at the end of the pole.

Please refer to the *Metropole* brochure for full range details.



- A: SG 20717 Ball End 125 mm
- B: SG 20718 Real Wood Spear 150 mm
- C: SG 20697 Strata 65 mm
- D: SG 20630 Groove Cylinder 125 mm
- E: SG 20898 Crystal Cube 55 mm  
(green, black, brown)
- F: SG 20899 Crystal Cylinder 55 mm  
(green, black, brown)
- G: SG 20315 Fused Barrel 121 mm  
(walnut, oak, colour matched)
- H: SG 20327 Fused Ball 81 mm  
(walnut, oak, colour matched)
- I: SG 20333 Glass Ball 70 mm  
(clear, frosted)

## C. WAVE

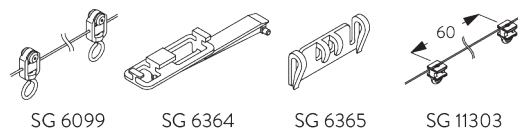


SG 11295

SG 11302

### Standard components:

- SG 11295 End stop
- SG 11302 Wave 2C glider cord 80 mm



SG 6099

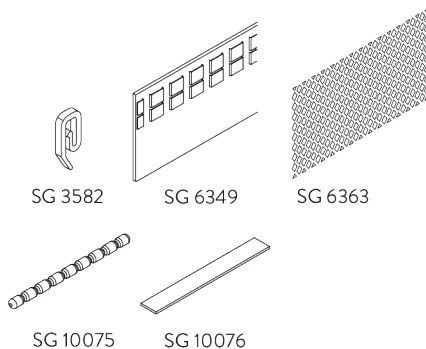
SG 6364

SG 6365

SG 11303

### Optional component:

- SG 6099 Wave roller cord 80 mm
- SG 6364 Wave extension
- SG 6365 Wave hanger
- SG 11303 Wave 2C glider Cord 60 mm



SG 3582

SG 6349

SG 6363

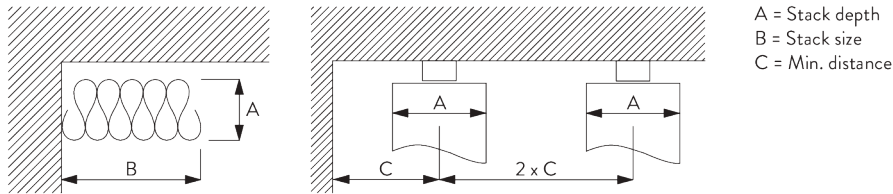
SG 10075

SG 10076

### Curtain components:

- SG 3582 Hook
- SG 6349 Wave curtain tape
- SG 6363 Wave top hemming tape
- SG 10075 Lead weight 50 gr/m
- SG 10076 Fabric weigh

Wave stack depth - 2C glider cord (standard components)



2C Glider cord SG 11302	Pockets between hooks	Approx. curtain fullness	Stack depth A	Stack size B*	Min distance C
80	6	~2.1	140	180 per metre of track	90
80	7	~2.3	160	180 per metre of track	100

2C Glider cord SG 11303	Pockets between hooks	Approx. curtain fullness	Stack depth A	Stack size B*	Min distance C
60	4	~2.1	100	230 per metre of track	70
60	5	~2.3	120	230 per metre of track	80

\*Stack size B when using optional extension arm increases by 175 mm per curtain stack!

## GENERAL NOTES

### Dimensions

- Measurements are in mm except where indicated.
- Max. kg relates to fabric incl. accessories.
- Stack size depends on curtain make-up and fabric thickness.
- Distance between gliders max. 80 mm / distance between rollers max. 100 mm.
- Recommended distance floor / fabric: 20 mm.
- In order to determine system height (B), the smallest room height must be taken into account.
- Full functionality may be affected if the curtain touches the profile.

### Fitting

- Installation by qualified fitter only.
- Number of brackets and fitting positions / fixing points vary depending on fitting surface, system weight, fabric make-up, screw / fixing type and obstacles.
- Qualified fitter must use appropriate screws / fixings for each situation.
- Profile lip if applicable to be installed to room side.




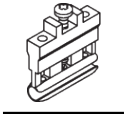



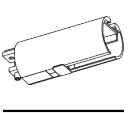
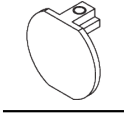
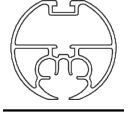
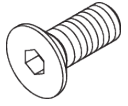
### Child Safety

- All relevant Silent Gliss systems correspond to child safety EN 13120.
- All parties involved must comply with EN 13120.



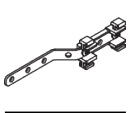
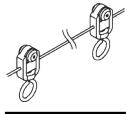
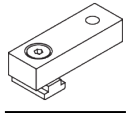
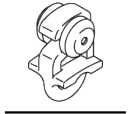
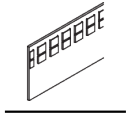
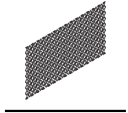
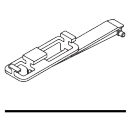
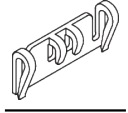
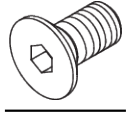
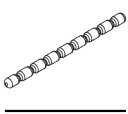
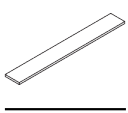
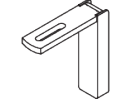


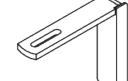
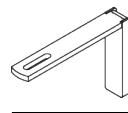
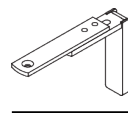
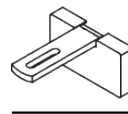
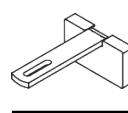
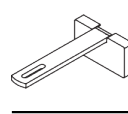
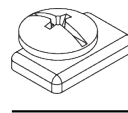

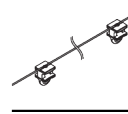
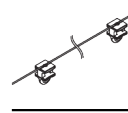
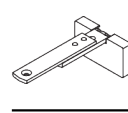
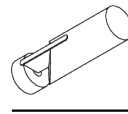
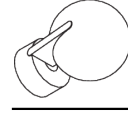

# PARTS

## A. STANDARD PARTS

	<b>SG 3091</b> Cord ø 3.5 mm
	<b>SG 6065</b> End stop
	<b>SG 6143</b> Glider on strip
	<b>SG 6315</b> Pilot runner
	<b>SG 10731</b> Child safety retainer set
	<b>SG 11300</b> 2C glider
	<b>SG 20334</b> Maxi adjustable bracket
	<b>SG 20347</b> Cording set 50 mm
	<b>SG 20350</b> Flus endcap 50 mm
	<b>SG 20701</b> Tube 50 mm
	<b>SG 20798</b> Hexagon socket countersunk screw M4x10 mm

## B. OPTIONAL PARTS

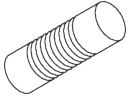
	<b>SG 2216</b> Cord ø 0.85 mm
	<b>SG 3582</b> Hook
	<b>SG 6063</b> Overlap arm
	<b>SG 6099</b> Wave roller cord 80 mm
	<b>SG 6152</b> Ceiling support set 9 mm
	<b>SG 6283</b> Roller
	<b>SG 6349</b> Wave curtain tape
	<b>SG 6363</b> Wave top hemming tape
	<b>SG 6364</b> Wave extension
	<b>SG 6365</b> Wave hanger
	<b>SG 6784</b> Hexagon socket countersunk screw M4x8 mm
	<b>SG 10075</b> Lead weight 50 g/m
	<b>SG 10076</b> Fabric weight
	<b>SG 11206</b> Smart Fix with slot 60 mm

	<b>SG 11207</b> Smart Fix with slot 80 mm
	<b>SG 11208</b> Smart Fix with slot 100 mm
	<b>SG 11209</b> Adjustable Smart Fix
	<b>SG 11216</b> Square Smart Fix with slot 60 mm
	<b>SG 11217</b> Square Smart Fix with slot 80 mm
	<b>SG 11218</b> Square Smart Fix with slot 100 mm
	<b>SG 11295</b> End stop
	<b>SG 11301</b> 2C glider on strip
	<b>SG 11302</b> Wave 2C glider cord 80 mm
	<b>SG 11303</b> Wave 2C glider cord 60 mm
	<b>SG 11472</b> Adjustable Square Smart Fix
	<b>SG 20315</b> Fused barrel 121 mm
	<b>SG 20327</b> Fused ball 81 mm
	<b>SG 20333</b> Glass ball 70 mm



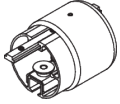
**SG 20335**

*Top fix bracket*



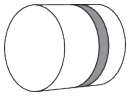
**SG 20630**

*Groove cylinder 135 mm*



**SG 20646**

*Intermediate pulley 50 mm*



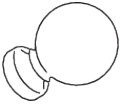
**SG 20697**

*Strata 65 mm*



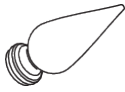
**SG 20714**

*Stud endcap 50 mm*



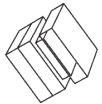
**SG 20717**

*Ball end 125 mm*



**SG 20718**

*Real wood spear 150 mm*



**SG 20898**

*Crystal cube 85 mm*



**SG 20899**

*Crystal cylinder 55 mm*



