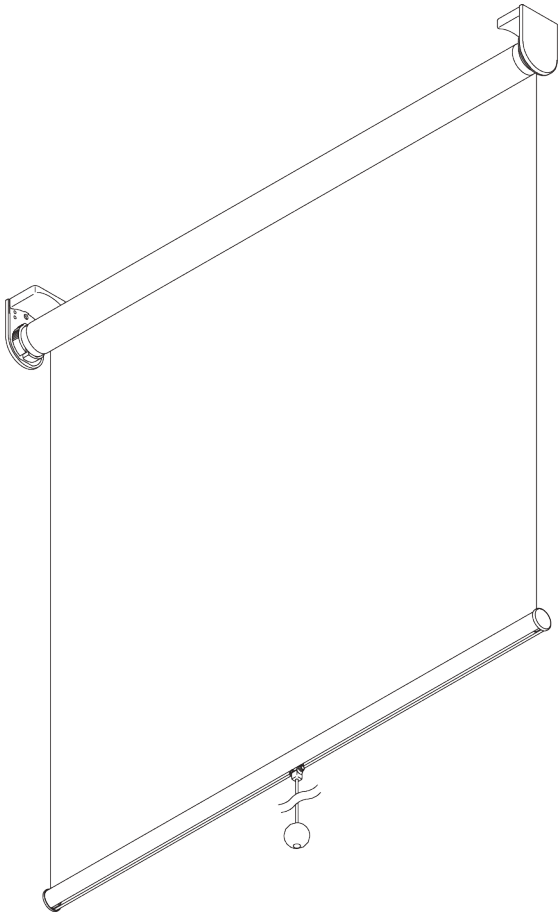
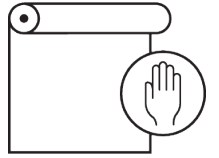


SG 4900



PRODUCT INFORMATION

- **Operation:** spring
- **Range:** S - M
- **Fitting:** ceiling, wall, recess
- **Colours:** white RAL 9016; special colours or anodised aluminum possible
- **Fabrics:** refer to Silent Gliss fabric collection

Features:

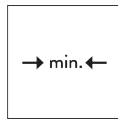
- Speed controller for controlled ascent
- Stop clutch mechanism to stop at any position
- Click-in brackets
- Installation profile
- End stop controller

SYSTEM SPECIFICATIONS

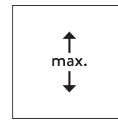
A. SYSTEM DIMENSIONS



2 m



30 cm



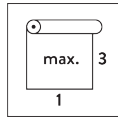
3 m



6 m²



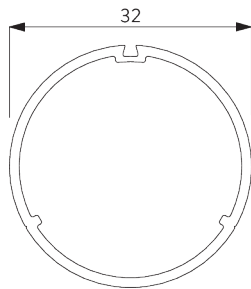
2.2 kg



Recommended width /
height ratio
max. 1:3

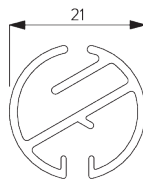
B. PROFILE

Profile information



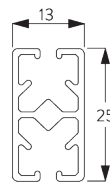
SG 4227

Tube ø 32 mm



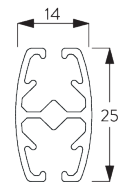
SG 4221

Bottom bar



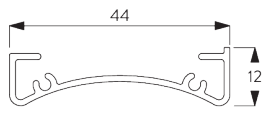
SG 10633

Bottom bar



SG 10634

Bottom bar

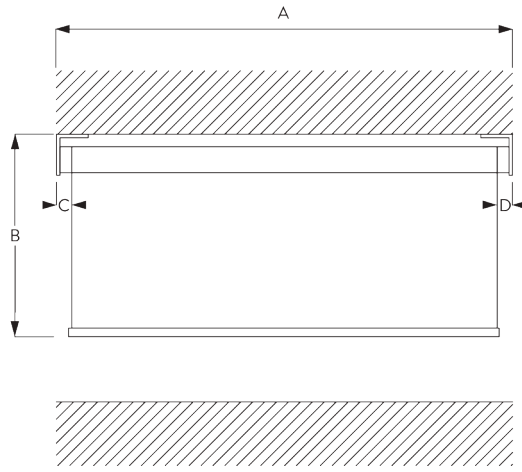


SG 10534

Installation profile

**C. HOW TO
MEASURE**

incl. bracket covers



- A: System width
- B: System height
- C: Light gap left side: 15 mm
- D: Light gap right side: 15 mm

Note:
All measurements include 2 mm for bracket cover per side!
These can be omitted to reduce side light gaps.

**D. SPECIFICATION
TEXT**

Silent Gliss SG 4900 Spring Operated Roller Blind System. Roller blind system for small to medium size blind applications up to 2.0m wide. Supplied made to measure and complete comprising anodised aluminium barrel SG 4227. Ceiling fix with brackets SG 10987 / SG 10989 / wall fix with brackets SG 10987 / SG 10990 / recess fix with brackets SG 10989 / SG 10991. Optional installation profile SG 10534. Available with optional stop controller SG 4377 to enable exact upper stop position of the blind (supplied as standard with fabric covered bottom bar). Assembled with powder coated white finish aluminium bottom weight bar SG 4221. Spring to be specified according to weight and characteristics of fabric. Fabric to be chosen from the Silent Gliss fabric range, Price Group 1R / 2R / 3R/4R.

FITTING

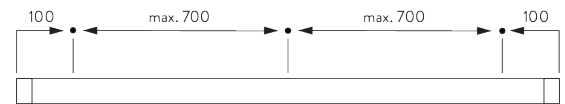
**A. FITTING
INFORMATION**

For detailed fitting information, visit the Silent Gliss website.

Fixing points

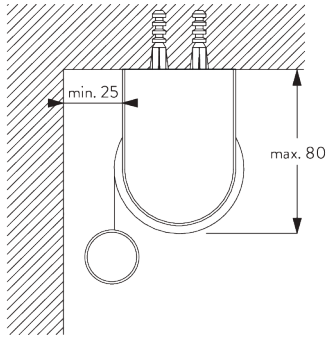


Brackets (wall / ceiling)



Installation profile SG 10534 (wall / ceiling)

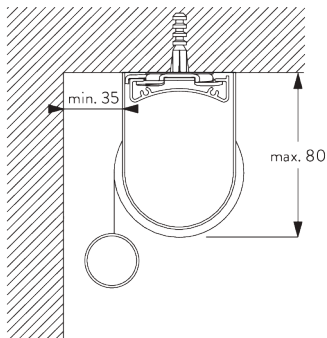
B. CEILING FITTING



Brackets

Bracket SG 10989: window rolling side of fabric or
Bracket SG 10991: room rolling side of fabric

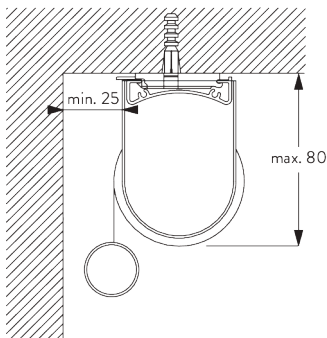
Bracket SG 10987



Installation profile SG 10534 and clamp SG 3044

Bracket SG 10989: window rolling side of fabric or
Bracket SG 10991: room rolling side of fabric

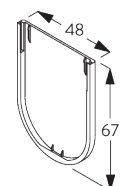
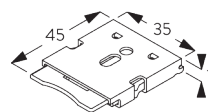
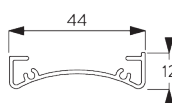
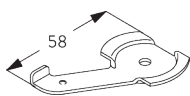
Bracket SG 10987



Installation profile SG 10534 and click bracket SG 10539

Bracket SG 10989: window rolling side of fabric or
Bracket SG 10991: room rolling side of fabric

Bracket SG 10987

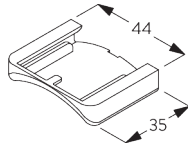


SG 3044
Clamp

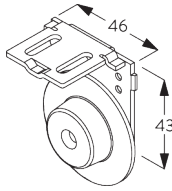
SG 10534
Installation profile

SG 10539
Bracket

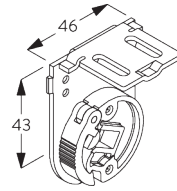
SG 10574
Bracket cover



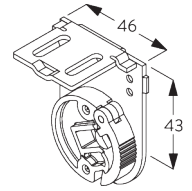
SG 10575
Bracket cover



SG 10987
Bracket

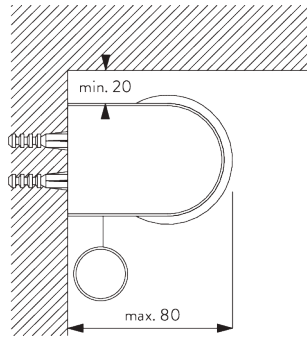


SG 10989
Bracket



SG 10991
Bracket

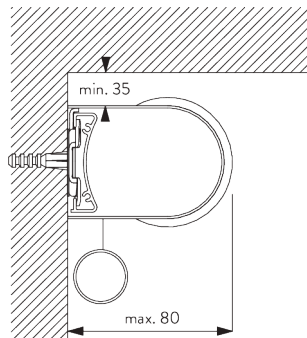
C. WALL FITTING



Brackets

*Bracket SG 10990: window rolling side of fabric or
Bracket SG 10992: room rolling side of fabric*

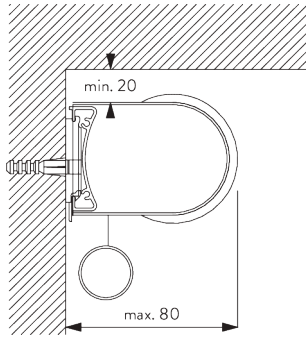
Bracket SG 10987



Installation profile SG 10534 and clamp SG 3044

*Bracket SG 10990: window rolling side of fabric or
Bracket SG 10992: room rolling side of fabric*

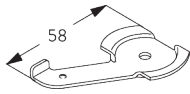
Bracket SG 10987



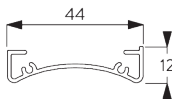
Installation profile SG 10534 and click bracket SG 10539

Bracket SG 10990: window rolling side of fabric or
Bracket SG 10992: room rolling side of fabric

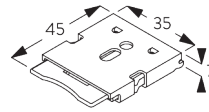
Bracket SG 10987



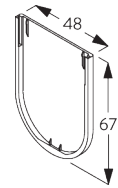
SG 3044
Clamp



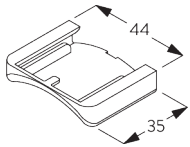
SG 10534
Installation profile



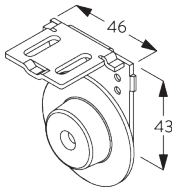
SG 10539
Bracket



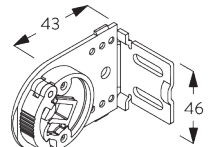
SG 10574
Bracket cover



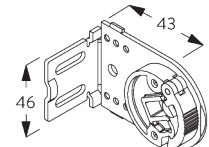
SG 10575
Bracket cover



SG 10987
Bracket

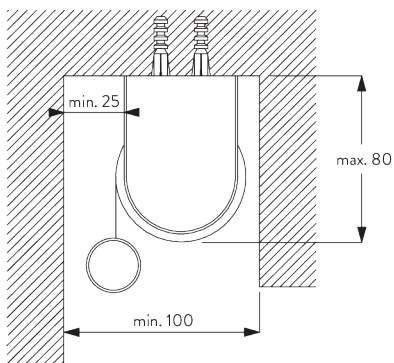


SG 10990
Bracket



SG 10992
Bracket

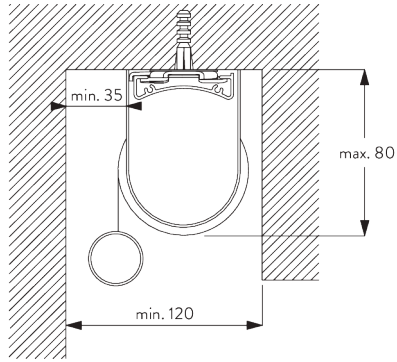
D. RECESS FITTING



Brackets

Bracket SG 10989: window rolling side of fabric or
Bracket SG 10991: room rolling side of fabric

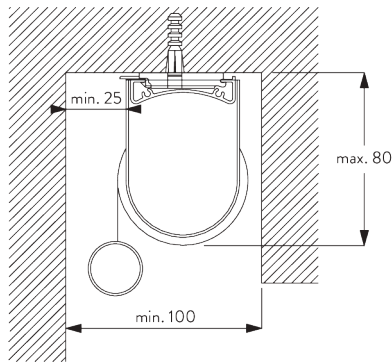
Bracket SG 10987



Installation profile SG 10534 and clamp SG 3044

Bracket SG 10989: window rolling side of fabric or
Bracket SG 10991: room rolling side of fabric

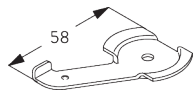
Bracket SG 10987



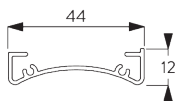
Installation profile SG 10534 and click bracket SG 10539

Bracket SG 10989: window rolling side of fabric or
Bracket SG 10991: room rolling side of fabric

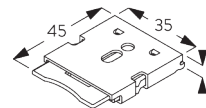
Bracket SG 10987



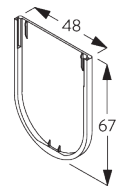
SG 3044
Clamp



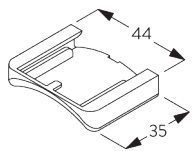
SG 10534
Installation profile



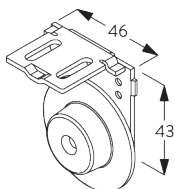
SG 10539
Bracket



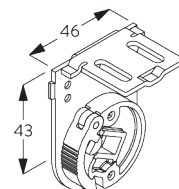
SG 10574
Bracket cover



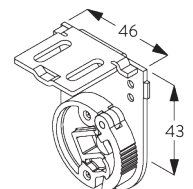
SG 10575
Bracket cover



SG 10987
Bracket

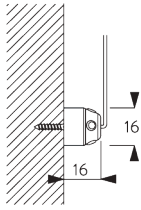
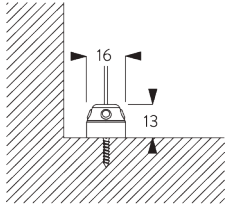


SG 10989
Bracket

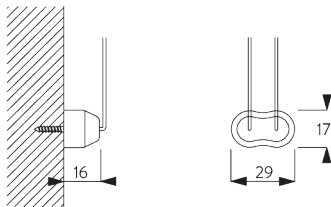
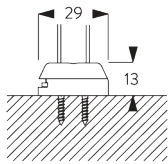


SG 10991
Bracket

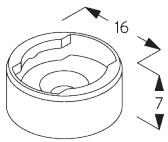
**E. FITTING WITH
SIDE GUIDE
OPTION**



Single system

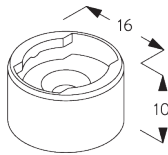


Double system (side-by-side installation)



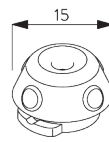
SG 8235

Side guide wire base short



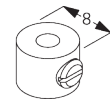
SG 8236

Side guide wire base long



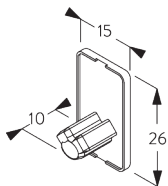
SG 8237

Side guide wire holder



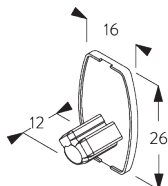
SG 8249

Side guide device



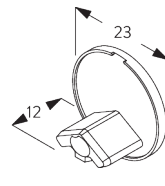
SG 10636

Side guide end cover square



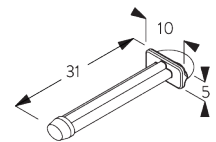
SG 10638

Side guide end cover oval



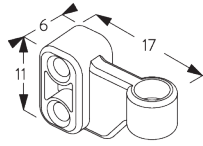
SG 10640

Side guide end cover round

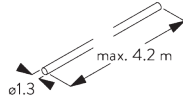


SG 10641

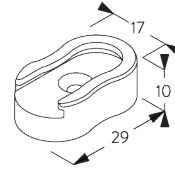
Side guide eyelet



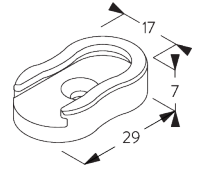
SG 10642
Side guide wire holder



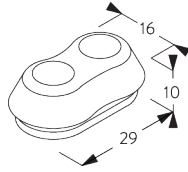
SG 10643
Side guide wire \varnothing 1.2 mm x 4.2 m



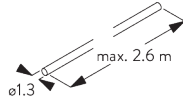
SG 10669
Side guide double base long



SG 10673
Side guide double base short



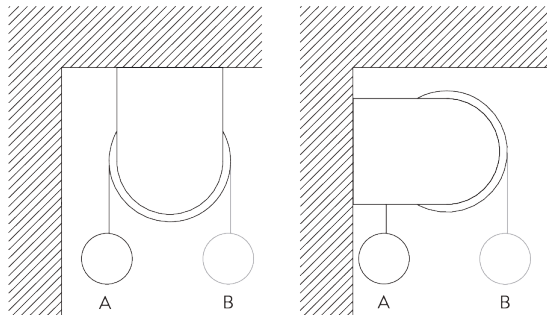
SG 10701
Side guide double wire holder



SG 10706
Side guide wire \varnothing 1.3 mm x 2.6 m

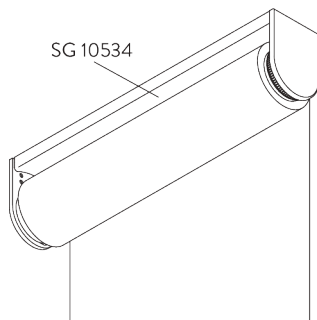
SYSTEM OPTIONS

A. FABRIC ROLL-OFF

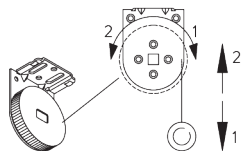


A: Fabric roll-off window side (standard)
B: Fabric roll-off room side (option)

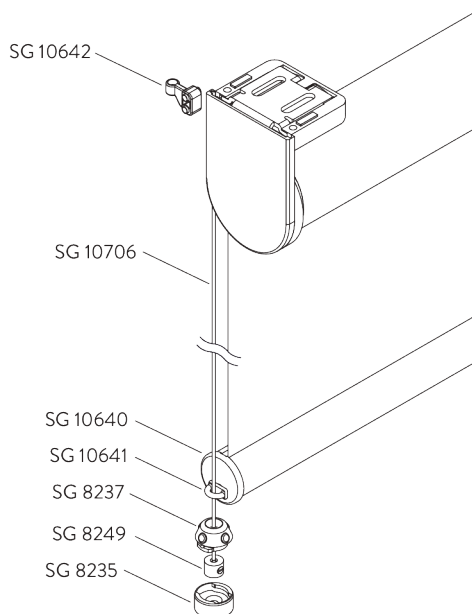
B. INSTALLATION PROFILE



C. ADJUSTABLE END STOP



D. SIDE GUIDES



Additional parts:

- 2x SG 8235 Side guide wire base short
- 2x SG 8237 Side guide wire holder
- 2x SG 8249 Side guide device
- 2x SG 10640 Side guide end cover
- 2x SG 10641 Side guide eyelet
- 2x SG 10642 Side guide wire holder
- 2x SG 10706 Side guide wire \varnothing 1.3 mm x 2.6 m

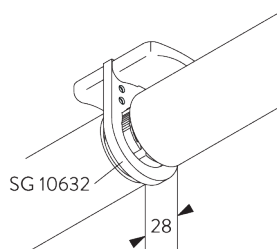
Optional parts:

- 2x SG 8236 Side guide wire base long
- 2x SG 10636 Side guide end cover square
- 2x SG 10638 Side guide end cover oval
- 2x SG 10643 Side guide wire \varnothing 1.2 mm x 4.2 m
- 1x SG 10669 Side guide double base long
- 1x SG 10673 Side guide double base short
- 1x SG 10701 Side guide double wire holder

Note:

- Light gaps increase when side-guide option is used
- Up to 15° from vertical

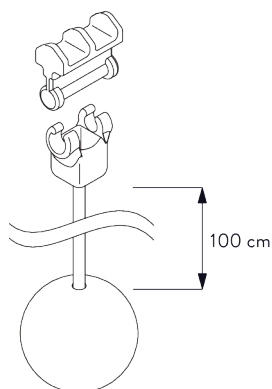
E. TWO SINGLE SYSTEMS SIDE-BY-SIDE



Additional parts:

- 1x SG 10632 Connection bracket cover

F. CHILD SAFETY PULL BALL SET



Child safety pull ball set SG 11043.

When fabric covered bottom bar is specified the pull ball set SG 10645 (max. 20 cm) will be used.

GENERAL NOTES

Dimensions

- Measurements are in mm except where indicated.
- Max. kg relates to fabric incl. accessories (bottom bars, etc.).

Fitting

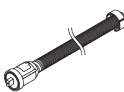


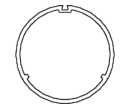
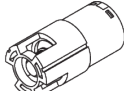
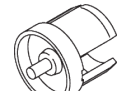

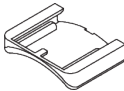

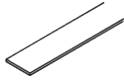
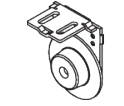


- Installation by qualified fitter only.
- Number of brackets and fitting positions / fixing points vary depending on fitting surface, system weight, fabric make-up, screw / fixing type and obstacles.
- Qualified fitter must use appropriate screws / fixings for each situation.
- Profile lip if applicable to be installed to room side.
- Electrical installations must be carried out according to Silent Gliss wiring diagrams and conform to local regulations.
- Check space for cables and plugs!

Child Safety


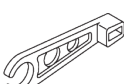
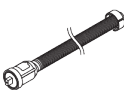



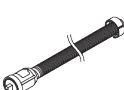
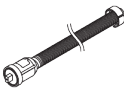


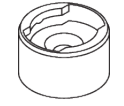
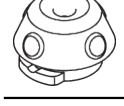


- All relevant Silent Gliss systems correspond to child safety EN 13120.
- All parties involved must comply with EN 13120.



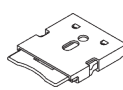
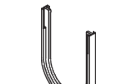
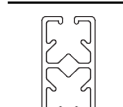

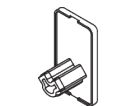
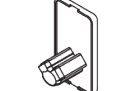



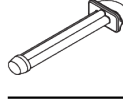

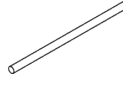
PARTS

A. STANDARD PARTS

	SG 4214 Spring C 552 mm
	SG 4221 Bottom bar
	SG 4226 Double tape 30 mm
	SG 4227 Tube ø 32 mm
	SG 4228 Speed controller right
	SG 4231 Tube adapter
	SG 10574 Bracket cover
	SG 10575 Bracket cover
	SG 10639 End cover round
	SG 10668 PVC strip 10 mm
	SG 10987 Bracket
	SG 10989 Bracket
	SG 11043 Child safety pull ball set

B. OPTIONAL PARTS

	SG 3044 Clamp
	SG 4211 Winder
	SG 4212 Spring A 365 mm
	SG 4213 Spring B 442 mm
	SG 4215 Spring D 612 mm
	SG 4216 Spring E 502 mm
	SG 4217 Spring F 612 mm
	SG 4218 Spring Y-2 198 mm
	SG 4377 End stop
	SG 8235 Side guide wire base short
	SG 8236 Side guide wire base long
	SG 8237 Side guide wire holder
	SG 8249 Side guide device
	SG 10139 Countersunk screw 2.9x6.5

	SG 10498 Countersunk screw 2.9x9.5
	SG 10534 Installation profile
	SG 10539 Bracket
	SG 10632 Connection bracket cover
	SG 10633 Bottom bar
	SG 10634 Bottom bar
	SG 10635 End cover square
	SG 10636 Side guide end cover square
	SG 10637 End cover oval
	SG 10638 Side guide end cover oval
	SG 10640 Side guide end cover round
	SG 10641 Side guide eyelet
	SG 10642 Side guide wire holder
	SG 10643 Side guide wire ø 1.2 mm x 4.2 m



SG 10645

Pull ball



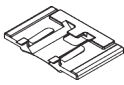
SG 10669

Side guide double base long



SG 10673

Side guide double base short



SG 10690

Spacer



SG 10701

Side guide double wire holder



SG 10706

Side guide wire \varnothing 1.3 mm x 2.6 m



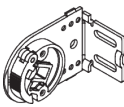
SG 10707

End stop



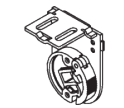
SG 10988

Bracket end stop



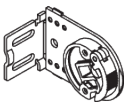
SG 10990

Bracket



SG 10991

Bracket



SG 10992

Bracket
