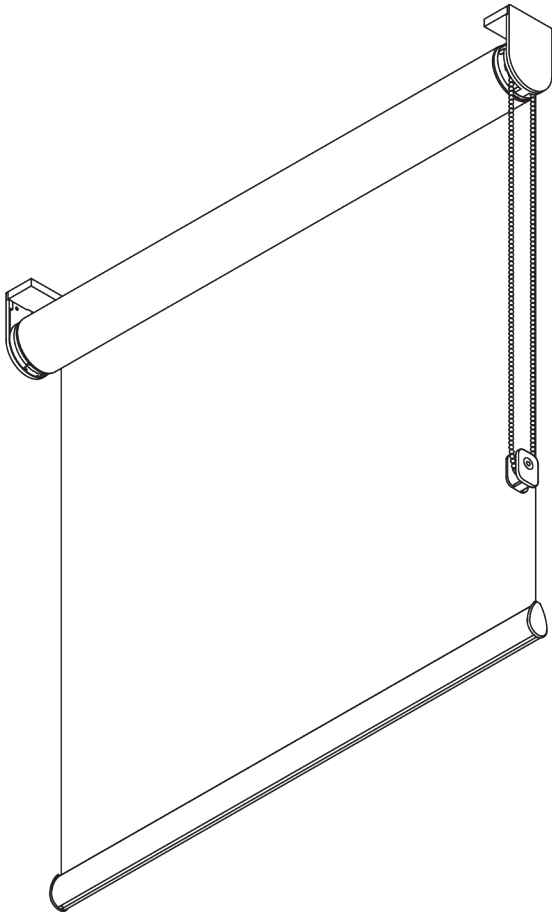


# SG 4930

---



## PRODUCT INFORMATION

- **Operation:** chain
- **Range:** M - L
- **Fitting:** ceiling, wall, recess
- **Colours:** white RAL 9016, grey RAL 7035, black RAL 9005; special colours possible
- **Fabrics:** refer to Silent Gliss fabric collection

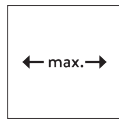
### **Features:**

- 5-to-1 gear drive
- Stainless steel bead chain
- Two connected systems
- Click-in brackets
- Fascia, box, installation profile

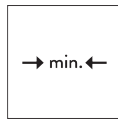
09/2021/V1

# SYSTEM SPECIFICATIONS

## A. SYSTEM DIMENSIONS



Single system: 3.4 m  
Double system: 6.8 m



65 cm



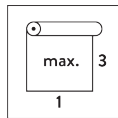
5 m



Single system: 17 m<sup>2</sup>  
Double system: 30 m<sup>2</sup>



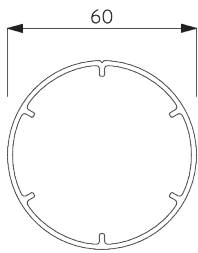
7 kg



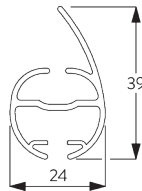
Recommended width /  
height ratio  
max. 1:3

## B. PROFILE

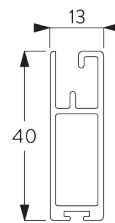
### Profile information



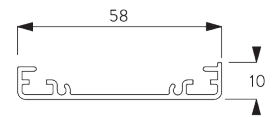
**SG 11037**  
Tube ø 60 mm



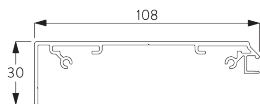
**SG 4903**  
Bottom bar



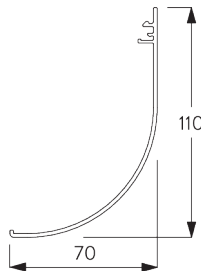
**SG 10993**  
Bottom bar



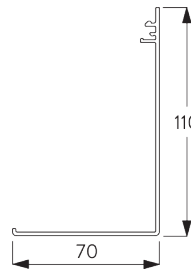
**SG 11181**  
Installation profile



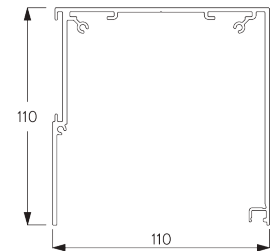
**SG 11530**  
Installation profile fascia 110 mm



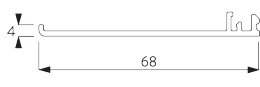
**SG 11531**  
Fascia round 110 mm



**SG 11532**  
Fascia square 110 mm



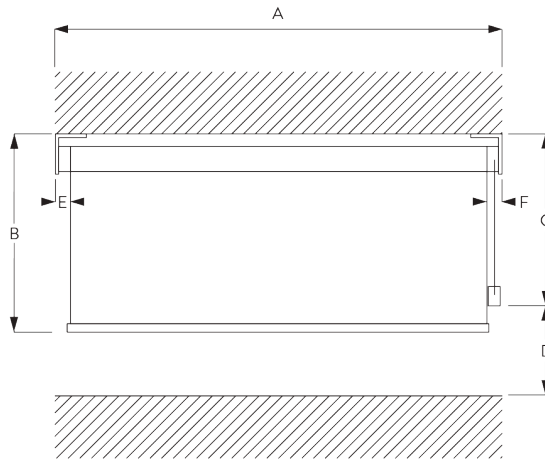
**SG 11533**  
Box case 110 mm



**SG 11534**  
Box cover 110 mm

## C. HOW TO MEASURE

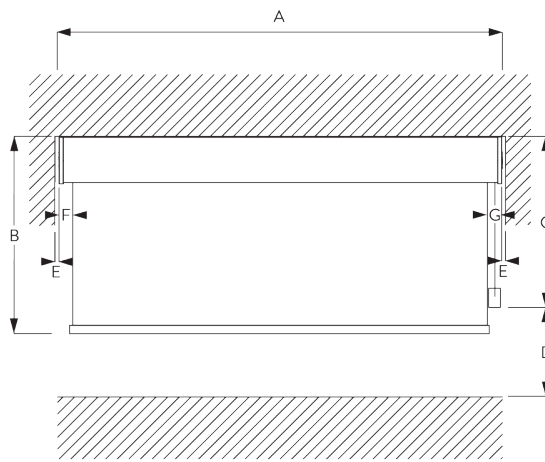
incl. bracket covers



A: System width  
 B: System height  
 C: Chain height  
 D: Safety Retainer SG 10731 min. 150 cm above floor  
 E: Light gap: 18 mm  
 F: Light gap operation side: 25 mm

Note:  
 All measurements include 2 mm for bracket cover per side!  
 These can be omitted to reduce side light gaps.

## Fascia / Box



A: System width  
 B: System height  
 C: Chain height  
 D: Safety Retainer SG 10731 min. 150 cm above floor  
 E: Gap: min. 10 mm (when cover is used)  
 F: Light gap: 20 mm  
 G: Light gap operation side: 27 mm

## D. SPECIFICATION TEXT

**Silent Gliss SG 4930 Chain Operated Roller Blind System.** Roller blind system for medium to large size blind applications up to 3.4m wide. Supplied made to measure and complete with barrel SG 11037 and planetary gear and integrated brake to ensure smooth operation and exact stop positions without slippage. Fixed to wall / ceiling / inside recess with SG 11172 / 11175 brackets with side cover SG 11173 to ensure neat appearance. Brackets and hardware in white/grey/black finish. Optional installation profile SG 11181 for easy installation with clamps SG 11180. Optional side guide wires. Double system option can be operated simultaneously by a single chain fitted with SG 11183 connecting bolt. Compliant to Child Safety legislation EN 13120. Fabric to be chosen from the Silent Gliss fabric range, Price Group 1R / 2R / 3R.

# FITTING

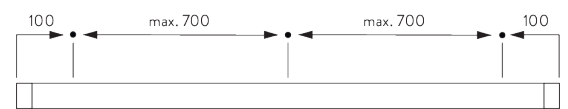
## A. FITTING INFORMATION

For detailed fitting information, visit the Silent Gliss website.

### Fixing points

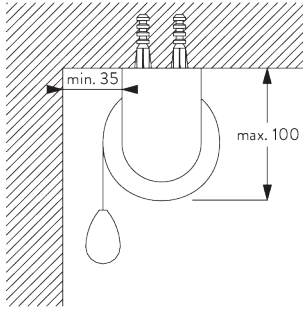


Brackets (wall / ceiling)

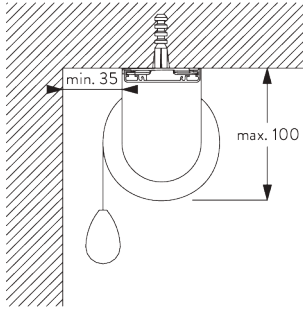


Fascia / box & installation profile SG 11181 (wall / ceiling)

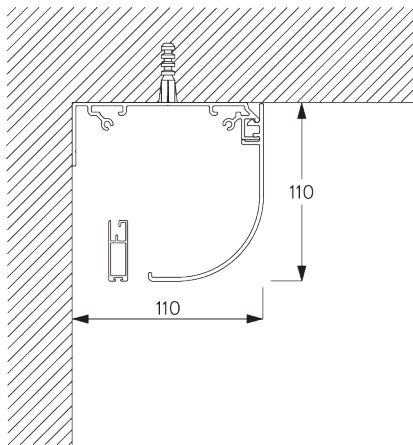
## **B. CEILING FITTING**



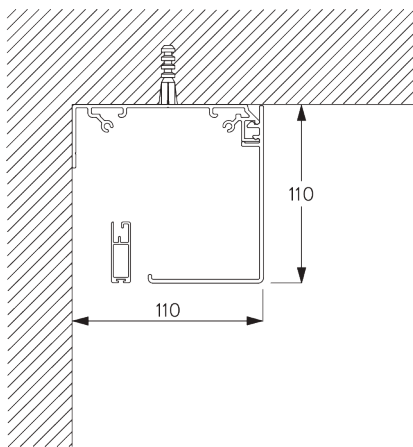
**Brackets**



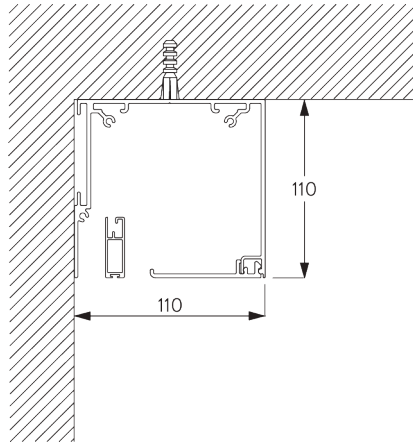
**Installation profile SG 11181 and clamp SG 11180**



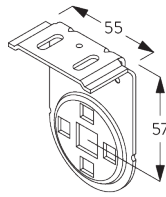
**Fascia round**



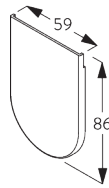
**Fascia square**



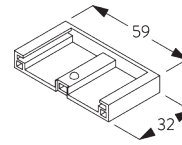
**Box**



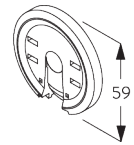
**SG 11172**  
Bracket



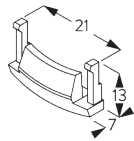
**SG 11173**  
Bracket cover



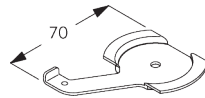
**SG 11174**  
Bracket cover



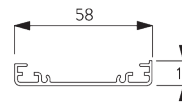
**SG 11175**  
Click flange



**SG 11179**  
Cover

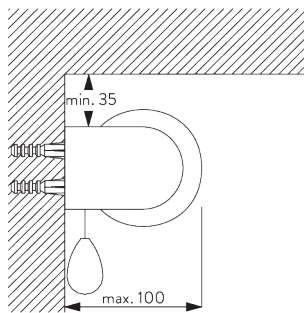


**SG 11180**  
Clamp

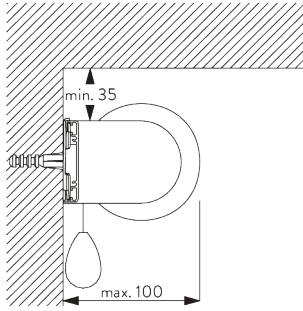


**SG 11181**  
Installation profile

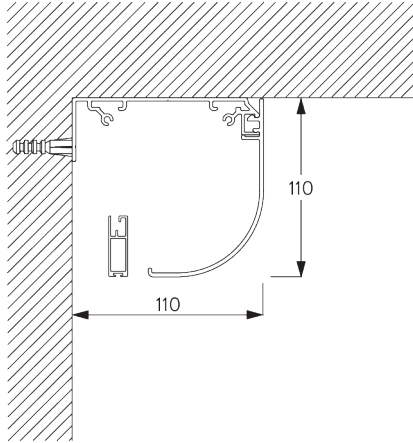
## **C. WALL FITTING**



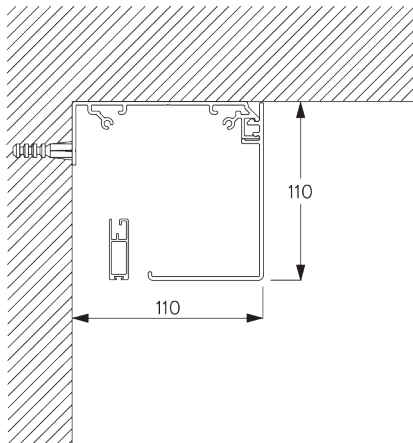
**Brackets**



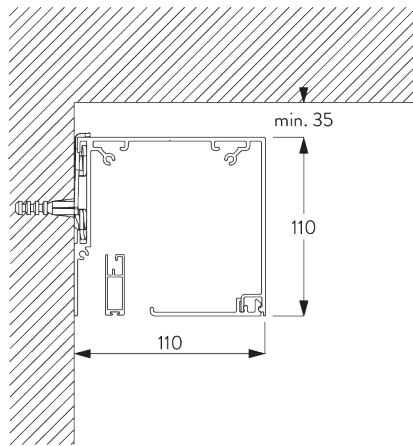
**Installation profile SG 11181 and clamp SG 11180**



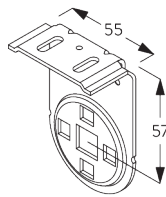
**Fascia round**



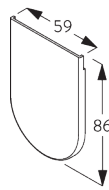
**Fascia square**



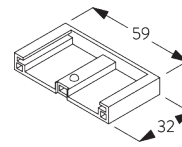
**Box and clamp SG 11180**



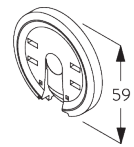
**SG 11172**  
Bracket



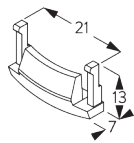
**SG 11173**  
Bracket cover



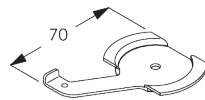
**SG 11174**  
Bracket cover



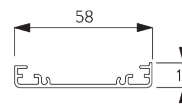
**SG 11175**  
Click flange



**SG 11179**  
Cover

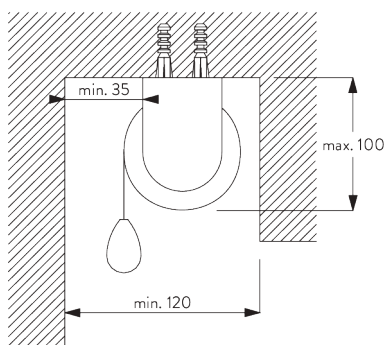


**SG 11180**  
Clamp

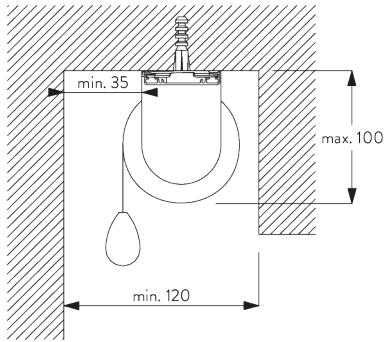


**SG 11181**  
Installation profile

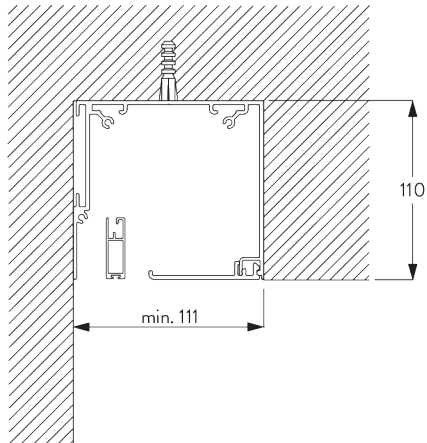
## **D. RECESS FITTING**



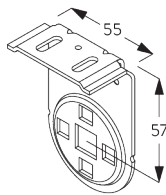
**Brackets**



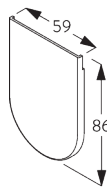
**Installation profile SG 11181 and clamp SG 11180**



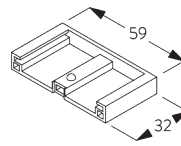
**Box**



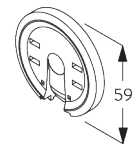
**SG 11172**  
Bracket



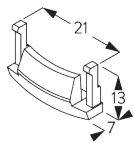
**SG 11173**  
Bracket cover



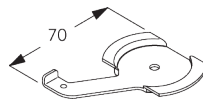
**SG 11174**  
Bracket cover



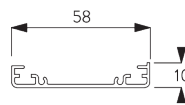
**SG 11175**  
Click flange



**SG 11179**  
Cover

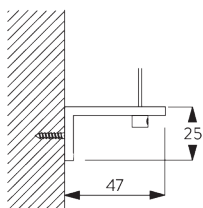


**SG 11180**  
Clamp

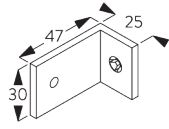


**SG 11181**  
Installation profile

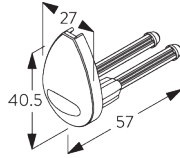
**E. FITTING WITH  
SIDE GUIDE  
OPTION**



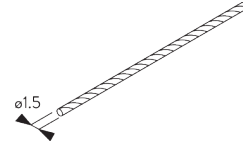




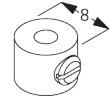
**SG 3036**  
Bracket 47 mm



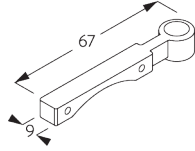
**SG 4944**  
Side guide end cover



**SG 4948**  
Side guide wire  $\varnothing$  1.5 mm



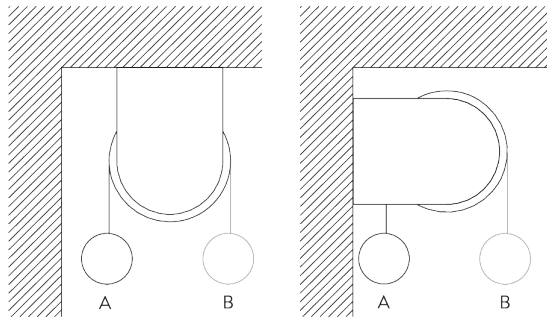
**SG 8249**  
Side guide device



**SG 11182**  
Side guide wire holder

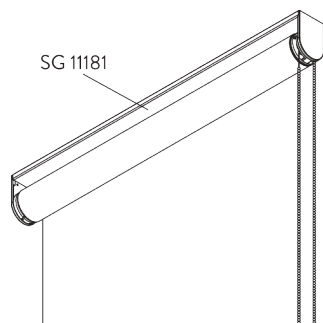
## SYSTEM OPTIONS

### A. FABRIC ROLL-OFF

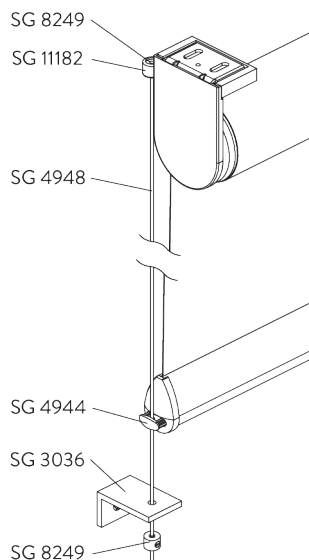


A: Fabric roll-off window side (standard)  
B: Fabric roll-off room side (option)

### B. INSTALLATION PROFILE



## C. SIDE GUIDES



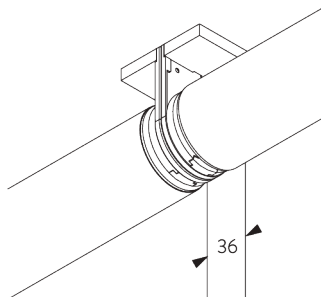
### Additional parts:

- 2x SG 3036 Bracket
- 2x SG 4944 Side guide end cover
- 2x SG 4948 Side guide wire  $\varnothing$  1.5 mm
- 4x SG 8249 Side guide device
- 2x SG 11182 Side guide wire holder

### Note:

- Light gaps increase when side-guide option is used
- Up to 15° from vertical
- Only applicable with bottom bar SG 4903

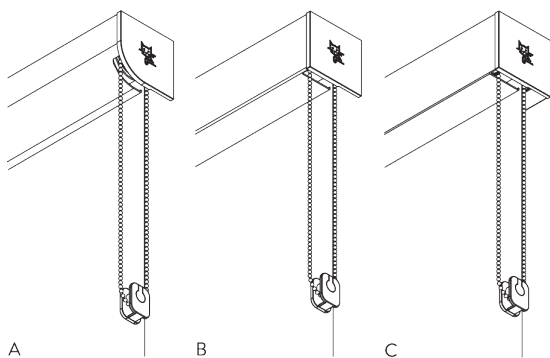
## D. TWO CONNECTED SYSTEMS



### Additional parts:

- 1x SG 11175 Click flange
- 1x SG 11183 Connecting bolt
- 2x SG 11184 Connection bracket cover
- 1x SG 11195 Connection tube adapter

## E. FASCIA / BOX



- A: Fascia round
- B: Fascia square
- C: Box

### Size:

- 110 x 110 mm

### Note:

- Only applicable with bottom bar SG 10993
- Not possible with connected systems

# GENERAL NOTES

### Dimensions

- Measurements are in mm except where indicated.
- Max. kg relates to fabric incl. accessories (bottom bars, etc.).

### Fitting

- Installation by qualified fitter only.


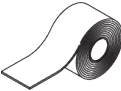



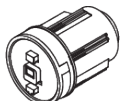
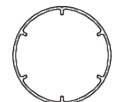
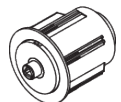
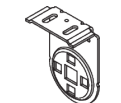
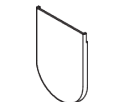
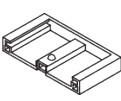


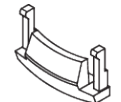
- Number of brackets and fitting positions / fixing points vary depending on fitting surface, system weight, fabric make-up, screw / fixing type and obstacles.
- Qualified fitter must use appropriate screws / fixings for each situation.
- Profile lip if applicable to be installed to room side.
- Electrical installations must be carried out according to Silent Gliss wiring diagrams and conform to local regulations.
- Check space for cables and plugs!

### **Child Safety**

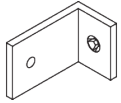
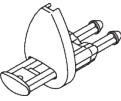

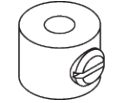
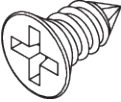
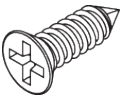
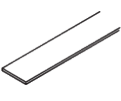
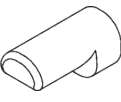
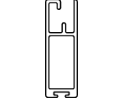
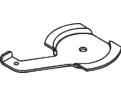
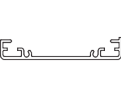
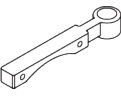
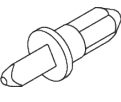
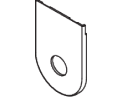
- All relevant Silent Gliss systems correspond to child safety EN 13120.
- All parties involved must comply with EN 13120.

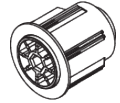

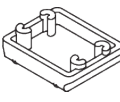
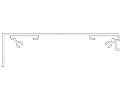


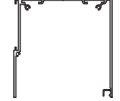



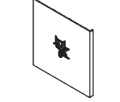


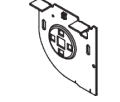
# PARTS

## A. STANDARD PARTS

	<b>SG 4223</b> PVC strip 14 mm
	<b>SG 4226</b> Double tape 30 mm
	<b>SG 4845</b> Bead chain metal ø 4.5 mm
	<b>SG 4903</b> Bottom bar
	<b>SG 10731</b> Child safety retainer set
	<b>SG 10962</b> Chain drive
	<b>SG 11037</b> Tube ø 60 mm
	<b>SG 11165</b> Tube adapter
	<b>SG 11172</b> Bracket
	<b>SG 11173</b> Bracket cover
	<b>SG 11174</b> Bracket cover
	<b>SG 11175</b> Click flange
	<b>SG 11178</b> End cover
	<b>SG 11179</b> Cover

## B. OPTIONAL PARTS

	<b>SG 3036</b> Bracket 47 mm
	<b>SG 4944</b> Side guide end cover
	<b>SG 4948</b> Side guide wire ø 1.5 mm
	<b>SG 8249</b> Side guide device
	<b>SG 10139</b> Countersunk screw 2.9x6.5
	<b>SG 10498</b> Countersunk screw 2.9x9.5
	<b>SG 10668</b> PVC strip 10 mm
	<b>SG 10707</b> End stop
	<b>SG 10993</b> Bottom bar
	<b>SG 11180</b> Clamp
	<b>SG 11181</b> Installation profile
	<b>SG 11182</b> Side guide wire holder
	<b>SG 11183</b> Connection bolt
	<b>SG 11184</b> Connection bracket cover

	<b>SG 11195</b> Connection tube adapter
	<b>SG 11197</b> End cover
	<b>SG 11311</b> Bracket spacer
	<b>SG 11530</b> Installation profile fascia 110 mm
	<b>SG 11531</b> Fascia round 110 mm
	<b>SG 11532</b> Fascia square 110 mm
	<b>SG 11533</b> Box case 110 mm
	<b>SG 11534</b> Box cover 110 mm
	<b>SG 11537</b> Bracket cover round left 110 mm
	<b>SG 11538</b> Bracket cover round right 110 mm
	<b>SG 11539</b> Bracket cover square left 110 mm
	<b>SG 11540</b> Bracket cover square right 110 mm
	<b>SG 11543</b> End cover
	<b>SG 11544</b> Bracket left 110 mm



**SG 11545**

*Bracket right 110 mm*

---





