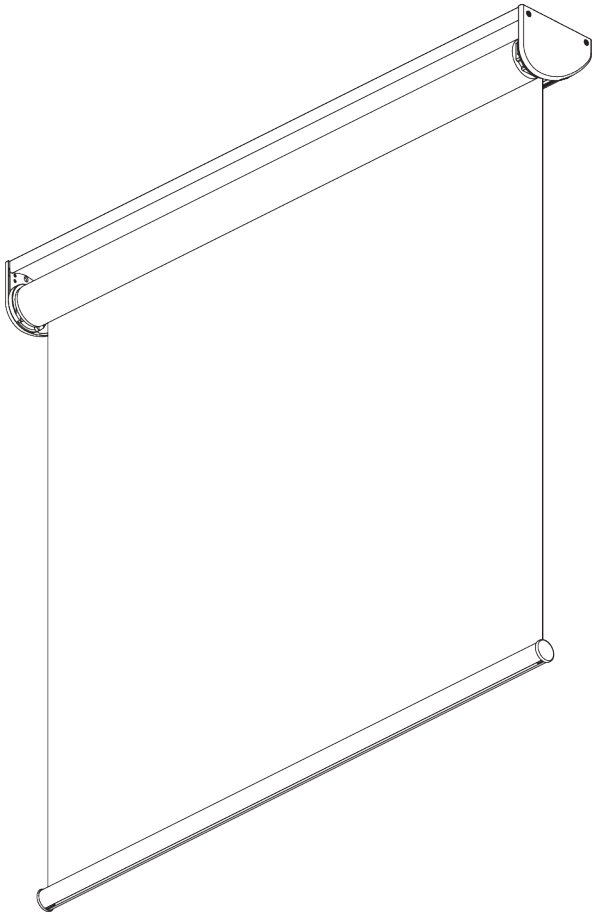
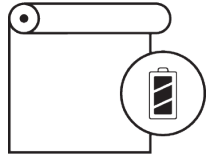


SG 4955



PRODUCT INFORMATION

- **Operation:** motorised (battery operated)
- **Range:** S - M
- **Fitting:** ceiling, wall, recess
- **Colours:** white RAL 9016; special colours or anodised aluminum possible
- **Fabrics:** refer to Silent Gliss fabric collection

Features:

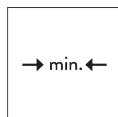
- Various control options
- Easy exchange of batteries
- Click-in brackets
- Installation profile

SYSTEM SPECIFICATIONS

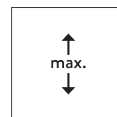
A. SYSTEM DIMENSIONS



2.4 m



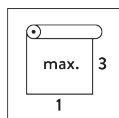
60 cm



4 m



2.5 kg



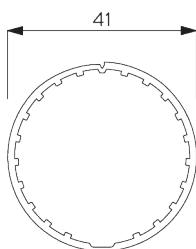
Recommended width /
height ratio
max. 1:3

Maximum system drop

Fabric thickness	mm	0.15	0.20	0.25	0.30	0.35	0.40	0.45	0.50	0.55	0.60	0.65	0.70	0.75	0.80
Max. system drop	cm	400	400	400	400	400	400	390	350	320	290	270	250	230	220

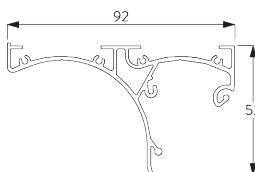
B. PROFILE

Profile information



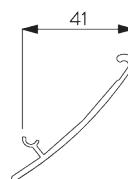
SG 10532

Tube ø 41 mm



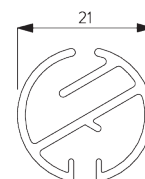
SG 11081

Profile



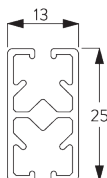
SG 11082

Profile



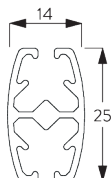
SG 4221

Bottom bar



SG 10633

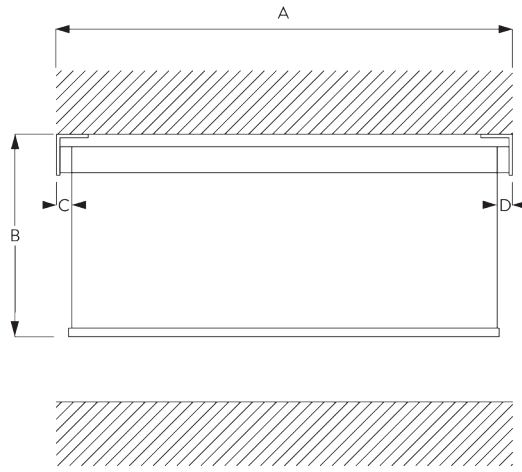
Bottom bar



SG 10634

Bottom bar

**C. HOW TO
MEASURE**



A: System width
 B: System height
 C: Light gap: 14 mm
 D: Light gap operation side: 17 mm

**D. SPECIFICATION
TEXT**

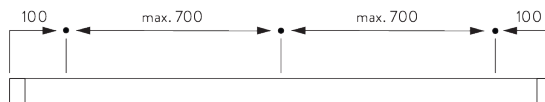
Silent Gliss SG 4955 Battery Operated Roller Blind System. Roller blind. Roller blind system for light to medium size blind applications up to 2.4m wide. Supplied made to measure and complete comprising anodised aluminium barrel SG 10532 and profile cover SG 11081 with lid SG11082. Fixed to wall / ceiling / inside recess with clamp SG 3044 or direct fixed with installation support plate 11086. Integral motor SG 11076 with battery pack concealed in facia profile. Powered by 8no. lithium AA cells. Round bottom bar SG 4221 in powder coated white (other shapes and colours available). Operation by single channel radio wall switch SG 10949 as standard. Other optional control options are two channel wall switch SG 10950 and five channel wall switch SG 10951. Optional radio remote handsets are also available (single channel SG 10946 / two channel SG 10947 / six channel SG 10948).

FITTING

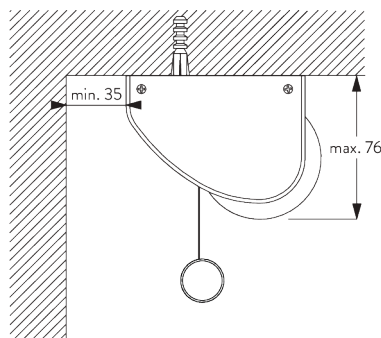
**A. FITTING
INFORMATION**

For detailed fitting information, visit the Silent Gliss website.

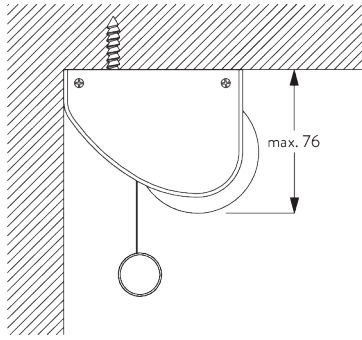
Fixing points



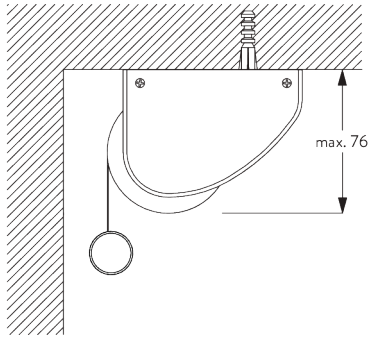
B. CEILING FITTING



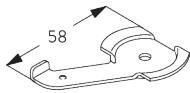
Clamp SG 3044



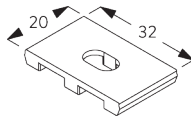
Direct fitting



Reversed fitting

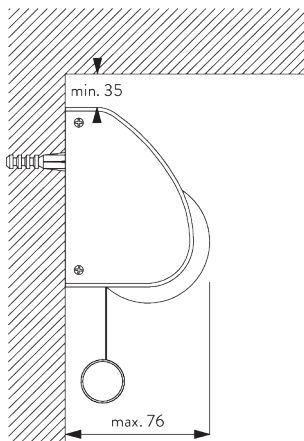


SG 3044
Clamp

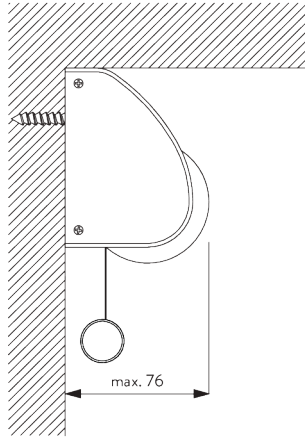


SG 11086
Installation support plate

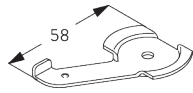
C. WALL FITTING



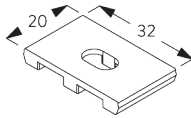
Clamp SG 3044



Direct fitting

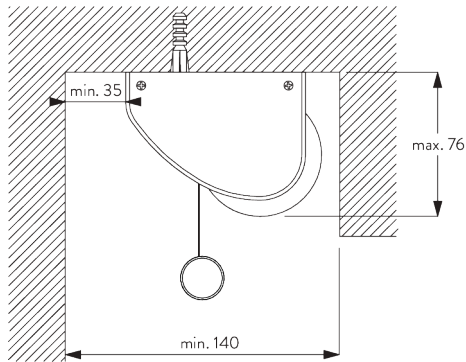


SG 3044
Clamp

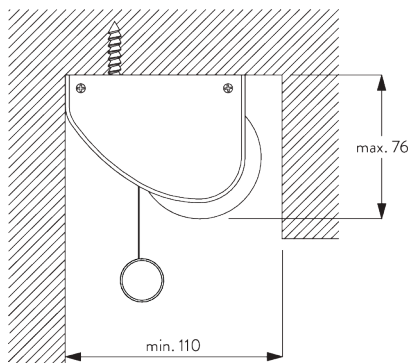


SG 11086
Installation support plate

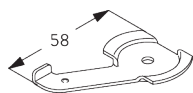
D. RECESS FITTING



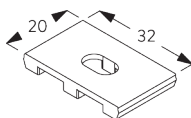
Clamp SG 3044



Direct fitting



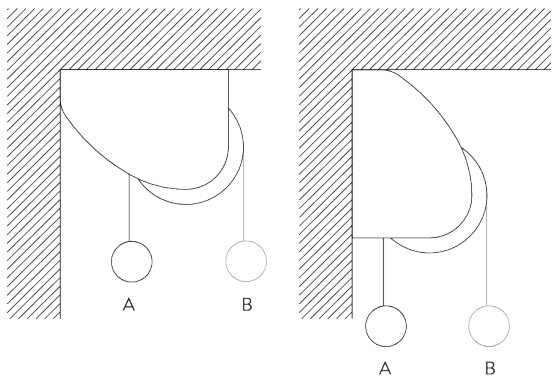
SG 3044
Clamp



SG 11086
Installation support plate

SYSTEM OPTIONS

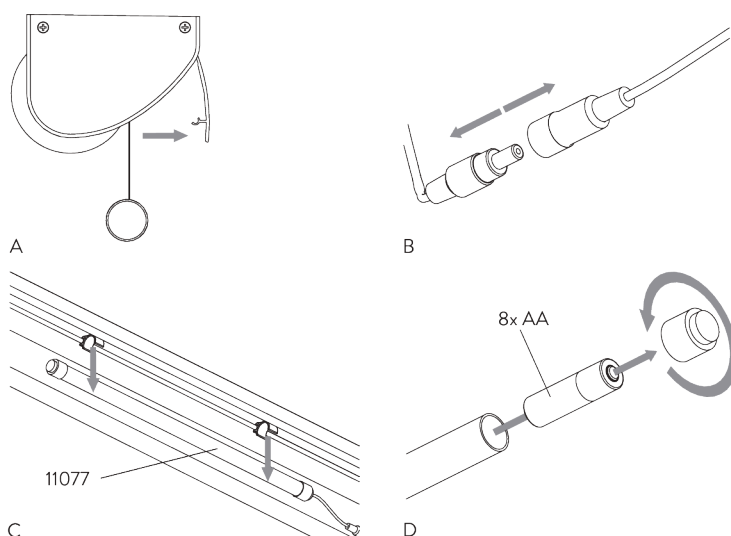
A. FABRIC ROLL-OFF



A: Fabric roll-off window side (standard)

B: Fabric roll-off room side (option)

B. BATTERY EXCHANGE



MOTOR & CONTROLS

A. MOTOR FEATURES

Motor	SG 11076
Motor Features	
Soft start / stop	•
Built-in receiver	•
Electronic end-stop	•
Electronic revolution counter (unlimited revolution)	•
IP class	IP 44
Control Features	
SG Control A	•

B. MOTOR

SPECIFICATIONS

Motor	Light gaps C / D = driving side	Min. system width	Voltage	Current	Speed	Frequency receiver
SG 11076	C: 14 mm / D: 17 mm	60 cm	12 V DC	0.55 A	30 rpm	433 MHz

C. OPERATION

METHODS

See catalogue "controls" for details.

SG Control A



Various radio hand-held and wall transmitters available.

GENERAL NOTES

Dimensions

- Measurements are in mm except where indicated.
- Max. kg relates to fabric incl. accessories (bottom bars, etc.).

Fitting




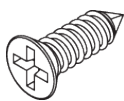

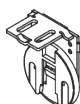



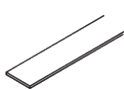
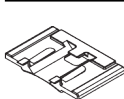

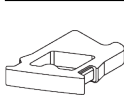

- Installation by qualified fitter only.
- Number of brackets and fitting positions / fixing points vary depending on fitting surface, system weight, fabric make-up, screw / fixing type and obstacles.
- Qualified fitter must use appropriate screws / fixings for each situation.
- Profile lip if applicable to be installed to room side.
- Electrical installations must be carried out according to Silent Gliss wiring diagrams and conform to local regulations.
- Check space for cables and plugs!



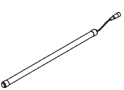





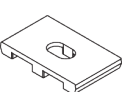
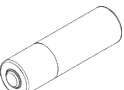

Child Safety

- All relevant Silent Gliss systems correspond to child safety EN 13120.
- All parties involved must comply with EN 13120.



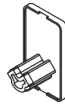


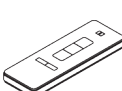
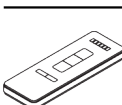
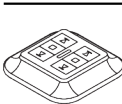
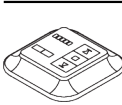
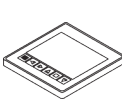
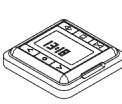
PARTS

A. STANDARD PARTS

	SG 3044 Clamp
	SG 4221 Bottom bar
	SG 4226 Double tape 30 mm
	SG 10498 Countersunk screw 2.9x9.5
	SG 10532 Tube ø 41 mm
	SG 10543 Bracket
	SG 10544 Bracket
	SG 10557 Tube adapter
	SG 10639 End cover round
	SG 10668 PVC strip 10 mm
	SG 10690 Spacer
	SG 10949 Radio wall transmitter 1 channel
	SG 11039 Cable protector
	SG 11072 Motor drive

	SG 11075 Tube adapter
	SG 11076 Motor 12V DC, 1.2/30
	SG 11077 Battery box
	SG 11081 Profile
	SG 11082 Profile
	SG 11083 End cover right
	SG 11084 End cover left
	SG 11085 Battery box holder
	SG 11086 Installation support plate
	SG 11099 AA Energizer Ultimate lithium batteries
	SG 11103 Warning sticker

B. OPTIONAL PARTS

	SG 10633 Bottom bar
	SG 10634 Bottom bar
	SG 10635 End cover square
	SG 10637 End cover oval
	SG 10946 Radio hand held 1 channel
	SG 10947 Radio hand held 2+1 channel
	SG 10948 Radio hand held 6+1 channel
	SG 10950 Radio wall transmitter 2 channel
	SG 10951 Radio wall transmitter 5+1 channel
	SG 11093 Radio timer unit 16 channel
	SG 11429 Radio timer unit 1 channel