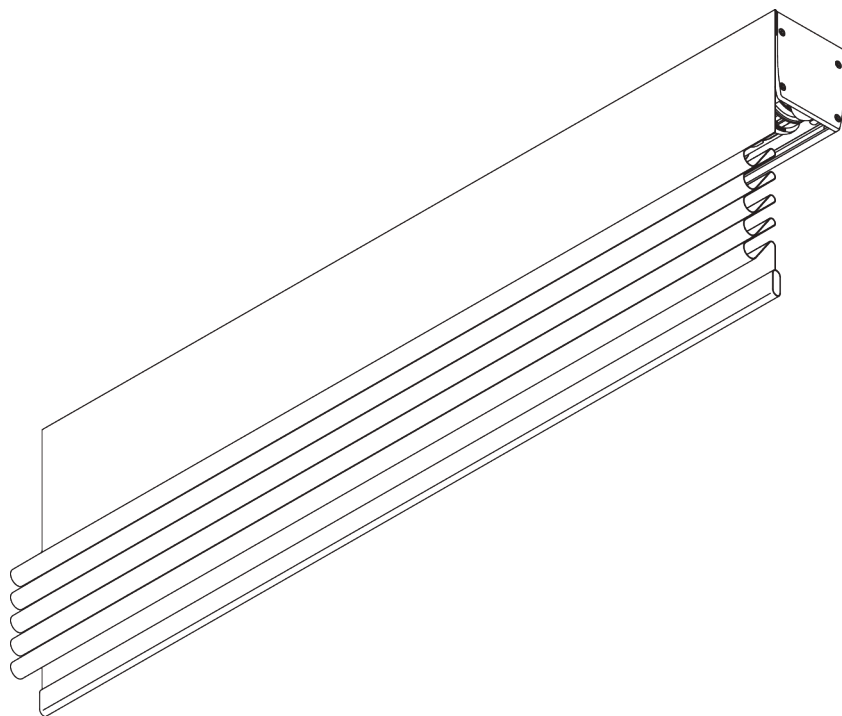


# SG 2350

---



## PRODUCT INFORMATION

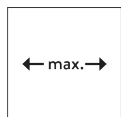
- **Operation:** motorised
- **Range:** S - L
- **Fitting:** ceiling, wall
- **Colours:** white RAL 9016
- **Fabrics:** refer to Silent Gliss fabric collection

### **Features:**

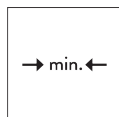
- Quiet and fast motors
- Soft stop
- Various control options
- Enclosed headrail

# SYSTEM SPECIFICATIONS

## A. SYSTEM DIMENSIONS

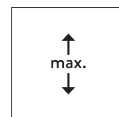


6 m

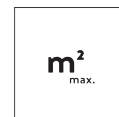


60 cm\*

\*see motor specification table



6 m



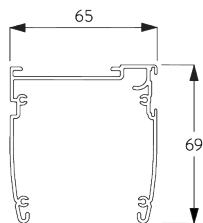
36 m<sup>2</sup>



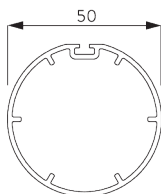
15 kg

## B. PROFILE

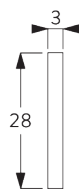
Profile information



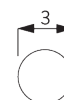
**SG 2351**  
Profile



**SG 2352**  
Profile ø 50 mm

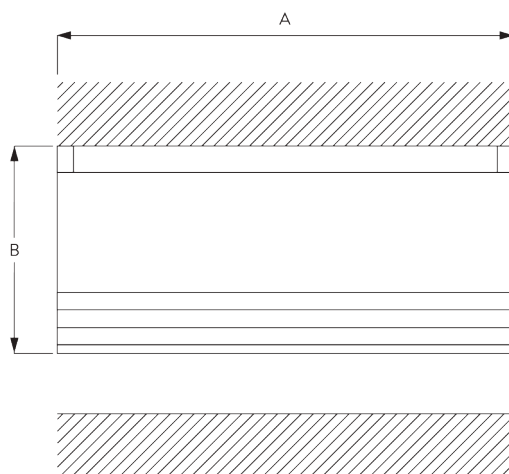


**SG 2006**  
Bottom bar 28x3 mm



**SG 2135**  
Rod steel ø 3 mm

## C. HOW TO MEASURE



A: System width  
B: System height

## **D. SPECIFICATION** **TEXT**

**Silent Gliss 2350 Electrically Operated Austrian/Roman Blind System with Smart by Silent Gliss motor.** Ready-assembled comprising aluminium headbox SG 2351 made to measure in powder coated white finish with bonded hook and loop insert, winding tube SG 2352, lift cord SG 2216 and cord release mechanism SG 2353 /SG 2354. Ceiling/face fix using universal bracket SG 2363 wall fix with Silent Gliss Smart Fix bracket range in conjunction with SG 2521 bracket. If supplied with made up blind from Silent Gliss fabric collection includes child safe breakaway components SG 31624 bottom bar set, SG 3069 rod cover (hard / semi hard fold makeup), SG 3165 / 3166 ring (soft fold make-up). Integral 24V DC powered Smart by Silent Gliss motor left / right side. Operation only via Silent Gliss Smart Gateway and associated components in conjunction with compatible third-party control systems. All wiring to be strictly in accordance with Silent Gliss wiring diagrams.

**Silent Gliss 2350 Electrically Operated Austrian/Roman Blind System with SG Series 40 motors.** Ready-assembled comprising aluminium headbox SG 2351 made to measure in powder coated white finish with bonded hook and loop insert, winding tube SG 2352, lift cord SG 2216 and cord release mechanism SG 2353 / SG 2354. Ceiling / face fix using universal bracket SG 2363 wall fix with Silent Gliss Smart Fix bracket range in conjunction with SG 2521 bracket. If supplied with made up blind from Silent Gliss fabric collection includes child safe breakaway components SG 31624 bottom bar set, SG 3069 rod cover (hard / semi hard fold makeup), SG 3165 / SG 3166 ring (soft fold make up). Integral 24V DC motor (transformer not included) / 100-240 V AC 50/60Hz motor. Operation by dry contact switching either from fixed switch (not supplied) or third-party control system and / or Silent Gliss SG 9940 radio control system (at additional cost) via integrated receiver. All wiring to be strictly in accordance with Silent Gliss wiring diagrams.

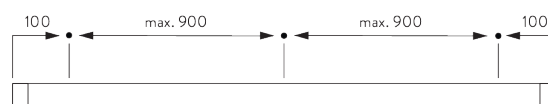
**Silent Gliss 2350 Electrically Operated Austrian/Roman Blind System with SG Series 20 motors.** Ready-assembled comprising aluminium headbox SG 2351 made to measure in powder coated white finish with bonded hook and loop insert, winding tube SG 2352, lift cord SG 2216 and cord release mechanism SG 2353 / SG 2354. Ceiling/face fix using universal bracket SG 2363 wall fix with Silent Gliss Smart Fix bracket range in conjunction with SG 2521 bracket. If supplied with made up blind from Silent Gliss fabric collection includes child safe breakaway components SG 31624 bottom bar set, SG 3069 rod cover (hard / semi hard fold makeup), SG 3165 / SG 3166 ring (soft fold make-up). Integral 230v 50 Hz powered motor. Operation by mains switch (not supplied) or mains switching by third party control system or SG 0450 remote control system (wireless controls at extra cost). All wiring to be strictly in accordance with Silent Gliss wiring diagrams.

# **FITTING**

## **A. FITTING** **INFORMATION**

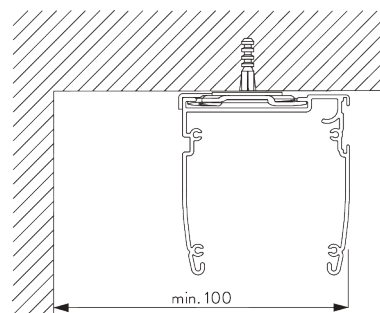
### **Fixing points**

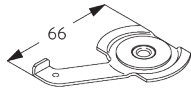
For detailed fitting information, visit the [Silent Gliss website](#).



## **B. CEILING FITTING**

### **Clamp SG 3003**

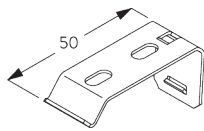
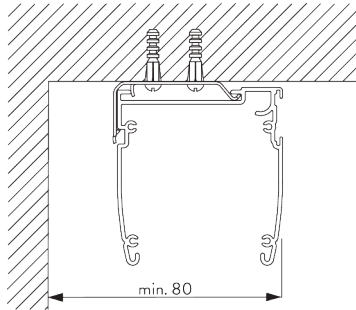




**SG 3003**

Clamp

**Bracket SG 2521**

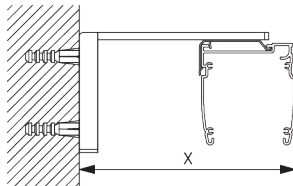


**SG 2521**

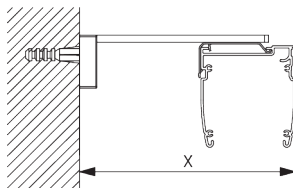
Bracket

**C. WALL FITTING**

**Smart Fix**

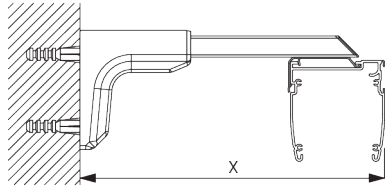


**Smart Fix SG 11200 - SG 11204 and bracket SG 2521:**  
Screw SG 10395 (M4x6) needed.

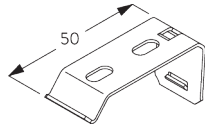


**Square Smart Fix SG 11210 - SG 11214 and bracket SG 2521:**  
Screw SG 10395 (M4x6) needed.

<b>Smart Fix</b>	<b>X mm</b>
SG 11200 / SG 11210	80-84
SG 11201 / SG 11211	100-104
SG 11202 / SG 11212	120-124
SG 11203 / SG 11213	140-144
SG 11204 / SG 11214	170-174
SG 11154	134-162
SG 11155	164-192
SG 11156	214-242



**Universal Smart Fix SG 11154 - SG 11156 and bracket SG 2521:**  
Screw SG 10492 (M4x8) needed.



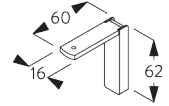
**SG 2521**  
Bracket



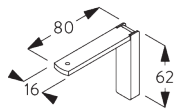
**SG 10395**  
Pan head screw M4x6



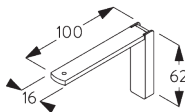
**SG 10492**  
Pan head screw M4x8



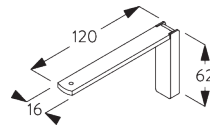
**SG 11200**  
Smart Fix 60 mm



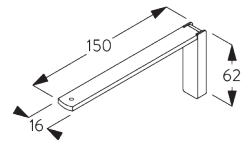
**SG 11201**  
Smart Fix 80 mm



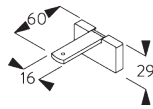
**SG 11202**  
Smart Fix 100 mm



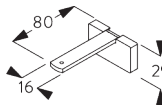
**SG 11203**  
Smart Fix 120 mm



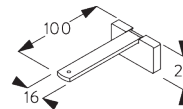
**SG 11204**  
Smart Fix 150 mm



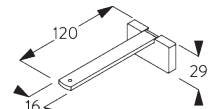
**SG 11210**  
Square Smart Fix 60 mm



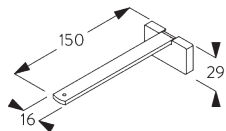
**SG 11211**  
Square Smart Fix 80 mm



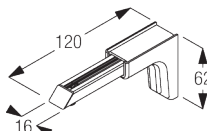
**SG 11212**  
Square Smart Fix 100 mm



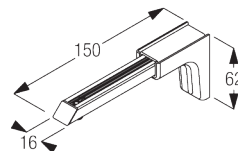
**SG 11213**  
Square Smart Fix 120 mm



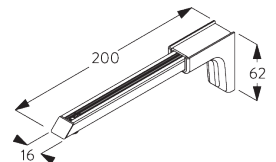
**SG 11214**  
Square Smart Fix 150 mm



**SG 11154**  
Universal Smart Fix 120 mm

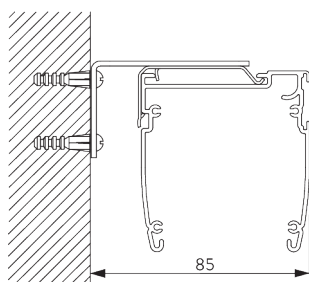


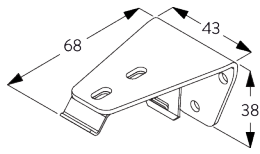
**SG 11155**  
Universal Smart Fix 150 mm



**SG 11156**  
Universal Smart Fix 200 mm

### Bracket SG 2363

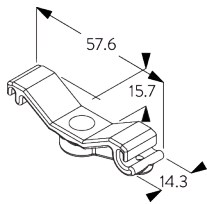
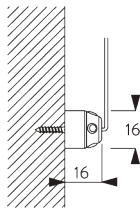
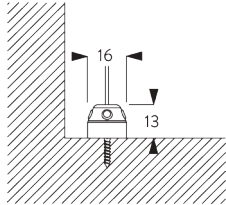




**SG 2363**

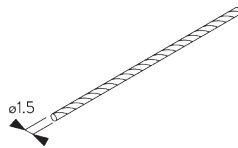
Bracket 68 mm

**D. FITTING WITH  
SIDE GUIDE  
OPTION**



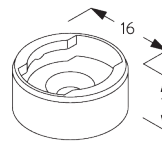
**SG 2362**

Side guide wire holder



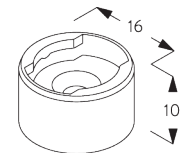
**SG 4948**

Side guide wire  $\varnothing$  1.5 mm



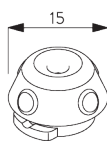
**SG 8235**

Side guide wire base short



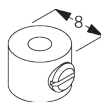
**SG 8236**

Side guide wire base long



**SG 8237**

Side guide wire holder

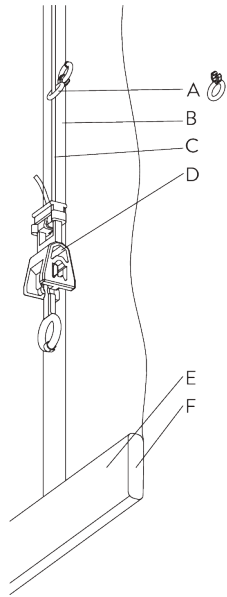


**SG 8249**

Side guide device

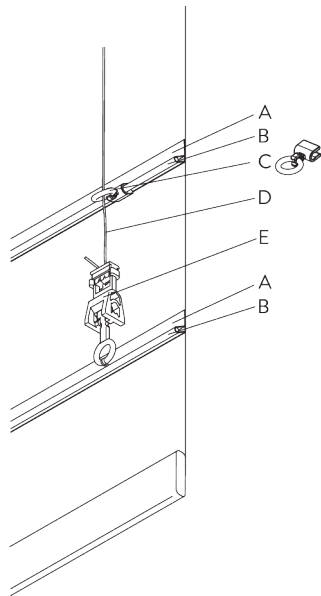
# SYSTEM OPTIONS

## A. FABRIC MAKE-UP



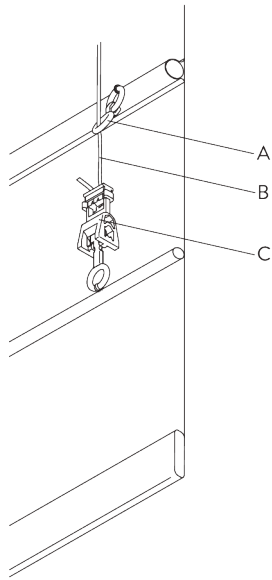
### Type A - Softfold

- A: Child safety tape set SG 3166
- B: Set includes tape and child safety eyelet
- C: Tape SG 2163
- D: Child safety hook set SG 3164
- E: Hollow hem
- F: Bottom bar SG 2005



### Type B - Hardfold

- A: Tape SG 2136
- B: Rod SG 2135
- C: Child safety eyelet hard fold SG 3069
- D: Tape SG 2163
- E: Child safety hook set SG 3164



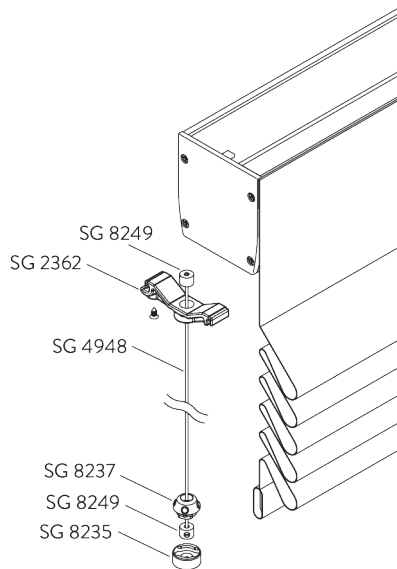
**Type C - Hardfold**

A: Child safety eyelet set SG 3165

B: Tape SG 2163

C: Child safety hook set SG 3164

**B. SIDE GUIDES**



*Additional parts:*

- 2x SG 2362 Side guide wire holder
- 2x SG 4948 Side guide wire ø 1.5 mm
- 2x SG 8235 Side guide wire base short
- 2x SG 8237 Side guide wire holder
- 4x SG 8249 Side guide device

*Note:*

- Up to 15° from vertical



# MOTORS & CONTROLS

## A. MOTOR FEATURES

Motors	50-Series	40-Series	20-Series
	SG 11251 SG 11252	SG 11241 SG 11242 SG 11244 SG 11245	SG 10322 SG 10422 SG 10520 SG 10522

### Motor Features

Soft stop	●	●	●
Electronic end-stop	●	●	●
Electronic revolution counter (unlimited revolution)	●	●	●
Mechanical end-stop			
Mechanical revolution counter (limited revolution)			
Two intermediate positions possible		●	
Bottom bar alignment	●	●	
Noiseless stop			●
Parallel wiring possible without additional relays		●	●
Disconnectable motor cable	●	●	●
IP class	IP 30	IP 30	IP 44

### Control Features

Mains power control			●
Dry contact control		●	
Dry contact and / or SG Control L control		●	
SG Control L (built-in receiver)		●	
SG Control R (external receiver required)			●
Smart by Silent Gliss	●		
Suitable for most major home automation systems (with suitable interface)		●	●

## B. MOTOR SPECIFICATIONS

Motors	Max. weight	Min. system width	Voltage	Current	Frequency	Speed	Frequency receiver
<b>50-Series (Smart by Silent Gliss)</b>							
SG 11251	7.5 kg	60 cm	24 V DC	1.5 A	n/a	32 rpm	n/a
SG 11252	15 kg	60 cm	24 V DC	2.1 A	n/a	20 rpm	n/a
<b>40-Series</b>							
SG 11241	7.5 kg	82 cm	100-240 V AC	0.6 A	50-60 Hz	32 rpm	868 MHz
SG 11242	15 kg	60 cm	100-240 V AC	0.8 A	50-60 Hz	20 rpm	868 MHz
SG 11244	7.5 kg	60 cm	24 V DC	1.5 A	n/a	32 rpm	868 MHz
SG 11245	15 kg	60 cm	24 V DC	2 A	n/a	20 rpm	868 MHz
<b>20-Series</b>							
SG 10322 (standard)	15 kg	60 cm	230 V AC	0.73 A	50 Hz	30 rpm	n/a
SG 10422	7.5 kg	60 cm	120 V AC	1.1 A	50 Hz	36 rpm	n/a
SG 10520	15 kg	60 cm	120 V AC	1.1 A	50 Hz	19 rpm	n/a
SG 10522	7.5 kg	60 cm	230 V AC	0.55 A	50 Hz	30 rpm	n/a

## C. OPERATING METHODS

See catalogue "controls" for details.

Wall Switch



System can be operated by fixed wall switch.

SG Control L



Various radio hand-held and wall transmitters available.



Silent Gliss Move App.

SG Control R



Various radio hand-held and wall transmitters available.  
An external receiver is required.

Smart by Silent Gliss



Open designed two-way communication system which  
allows to flawlessly integrate products with most major  
home control systems.

**D. WIRING**  
**DIAGRAMS**



Refer to Silent Gliss website.

# GENERAL NOTES

## **Dimensions**

- Measurements are in mm except where indicated.
- Max. kg relates to fabric incl. accessories (bottom bars, cross rods, etc.).
- Stack size is typically 15-20% of system height.

## **Fitting**

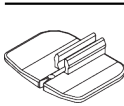
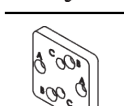
- Installation by qualified fitter only.
- Number of brackets and fitting positions / fixing points vary depending on fitting surface, system weight, fabric make-up, screw / fixing type and obstacles.
- Qualified fitter must use appropriate screws / fixings for each situation.
- Electrical installations must be carried out according to Silent Gliss wiring diagrams and conform to local regulations.
- Check space for cables and plugs!

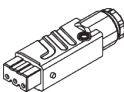
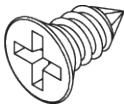


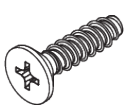
## **Child Safety**

- All relevant Silent Gliss systems correspond to child safety EN 13120.
- All parties involved must comply with EN 13120.

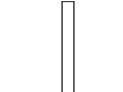

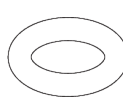
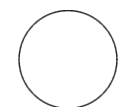
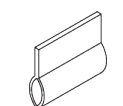

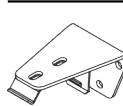
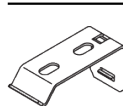
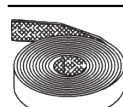

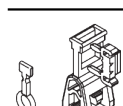
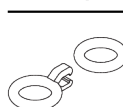
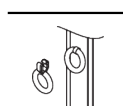
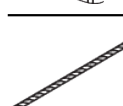
# PARTS



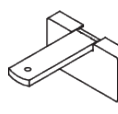
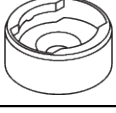
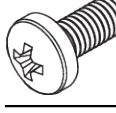
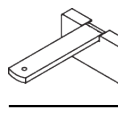
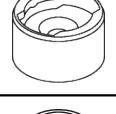
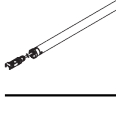
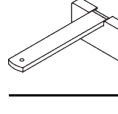
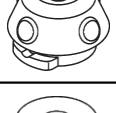
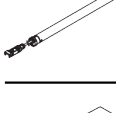
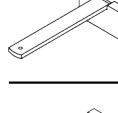
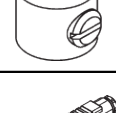
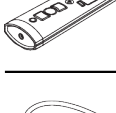
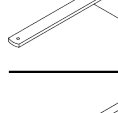
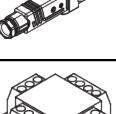
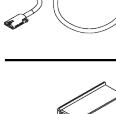
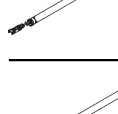
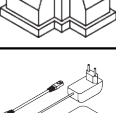
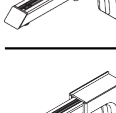
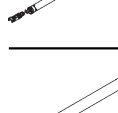
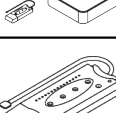
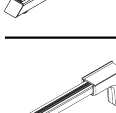
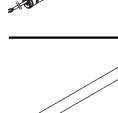
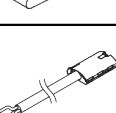
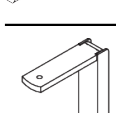

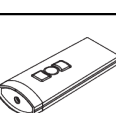
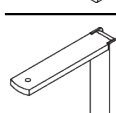

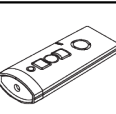
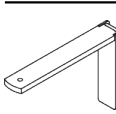
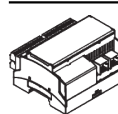
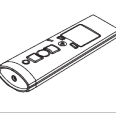
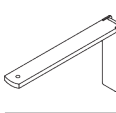
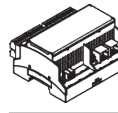

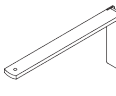
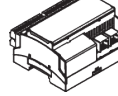



## A. STANDARD PARTS

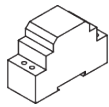
	<b>SG 2216</b> Cord ø 0.85 mm
	<b>SG 2221</b> Velcro tape
	<b>SG 2351</b> Profile
	<b>SG 2352</b> Profile ø 50 mm
	<b>SG 2353</b> End cover
	<b>SG 2354</b> End cover
	<b>SG 2355</b> Tube adapter
	<b>SG 2357</b> Pin
	<b>SG 2358</b> Shell
	<b>SG 2359</b> Support
	<b>SG 2361</b> Tube adapter
	<b>SG 2366</b> Motor drive
	<b>SG 2368</b> Motor plate
	<b>SG 3003</b> Clamp

	<b>SG 9917</b> Hirschmann portable socket-outlet STAK 3 N
	<b>SG 10139</b> Countersunk screw 2.9x6.5
	<b>SG 10284</b> O-Ring
	<b>SG 10322</b> Tubular motor 230V AC, 20 Series 5/30
	<b>SG 11324</b> PT Screw Countersunk KA35x14

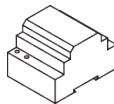
## B. OPTIONAL PARTS

	<b>SG 2006</b> Bottom bar 28x3 mm
	<b>SG 2091</b> End cover
	<b>SG 2093</b> Ring
	<b>SG 2135</b> Rod steel ø 3 mm
	<b>SG 2136</b> Rod tape
	<b>SG 2362</b> Side guide wire holder
	<b>SG 2363</b> Bracket 68 mm
	<b>SG 2521</b> Bracket
	<b>SG 2539</b> Tape
	<b>SG 3069</b> Child safety eyelet
	<b>SG 3164</b> Child safety hook set
	<b>SG 3165</b> Child safety eyelet set
	<b>SG 3166</b> Child safety tape set
	<b>SG 4948</b> Side guide wire ø 1.5 mm

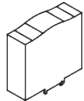
	<b>SG 5736</b> Relay socket		<b>SG 10422</b> Tubular motor 120V AC, 20 Series 3/36, UL		<b>SG 11210</b> Square Smart Fix 60 mm
	<b>SG 8235</b> Side guide wire base short		<b>SG 10492</b> Pan head screw M4x8		<b>SG 11211</b> Square Smart Fix 80 mm
	<b>SG 8236</b> Side guide wire base long		<b>SG 10520</b> Tubular motor 120V AC, 20 Series 5/20, UL		<b>SG 11212</b> Square Smart Fix 100 mm
	<b>SG 8237</b> Side guide wire holder		<b>SG 10522</b> Motor 230V AC, 20-Series 3/30		<b>SG 11213</b> Square Smart Fix 120 mm
	<b>SG 8249</b> Side guide device		<b>SG 10804</b> Radio hand held 15+5+1 channel		<b>SG 11214</b> Square Smart Fix 150 mm
	<b>SG 9916</b> Hirschmann plug set		<b>SG 10851</b> 2 m cable UL certified incl. plug only for USA		<b>SG 11241</b> Tubular motor 100-240V AC, 40-Series 3/32, radio receiver
	<b>SG 9959</b> Central control unit relay		<b>SG 11154</b> Universal Smart Fix 120 mm		<b>SG 11242</b> Tubular motor 100-240V AC, 40-Series 6/20, radio receiver
	<b>SG 9960</b> Move server set		<b>SG 11155</b> Universal Smart Fix 150 mm		<b>SG 11244</b> Tubular motor 24V DC, 40 Series 3/32, radio receiver
	<b>SG 9961</b> Move transmitter		<b>SG 11156</b> Universal Smart Fix 200 mm		<b>SG 11245</b> Tubular motor 24V DC, 40-Series 6/20, radio receiver
	<b>SG 10293</b> Cable 230V AC, 2/3/5/10 m		<b>SG 11200</b> Smart Fix 60 mm		<b>SG 11251</b> Tubular motor 24V DC, 50-Series 3/32
	<b>SG 10300</b> Radio hand held 1 channel		<b>SG 11201</b> Smart Fix 80 mm		<b>SG 11252</b> Tubular motor 24V DC, 50-Series 6/20
	<b>SG 10302</b> Radio hand held 5+1 channel		<b>SG 11202</b> Smart Fix 100 mm		<b>SG 11260</b> Smart controller gateway unit
	<b>SG 10303</b> Radio hand held 10+2+1 channel		<b>SG 11203</b> Smart Fix 120 mm		<b>SG 11261</b> Smart controller gateway unit KNX
	<b>SG 10395</b> Pan head screw M4x6		<b>SG 11204</b> Smart Fix 150 mm		<b>SG 11262</b> Smart controller expansion unit

**SG 11263**

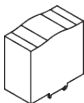
Power supply 24V DC, 2 Ampere  
DIN Rail

**SG 11264**

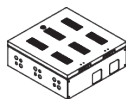
Power supply 24V DC, 3.8 Ampere  
DIN Rail

**SG 11265**

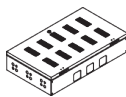
Power supply 24V DC, 5 Ampere  
DIN Rail

**SG 11266**

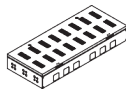
Power supply 24V DC, 10 Ampere  
DIN Rail

**SG 11281**

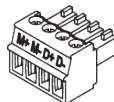
Cabinet for 8 systems

**SG 11282**

Cabinet for 24 systems

**SG 11283**

Cabinet for 56 systems

**SG 11319**

Plug 4-pin, MC 1.5/4-ST-3.81

**SG 11351**

Motor drive 5-Series

**SG 11352**

Motor drive 40/50-Series

**SG 11480**

Radio wall transmitter 1 channel

**SG 11490**

Radio wall transmitter 5+1 channel

**SG 20336**

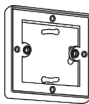
Hand held transmitter 8 channel

**SG 20913**

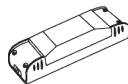
Wall switch single channel

**SG 20914**

Wall switch 8 channel

**SG 20917**

Pattress box

**SG 20919**

Control module motor type R



