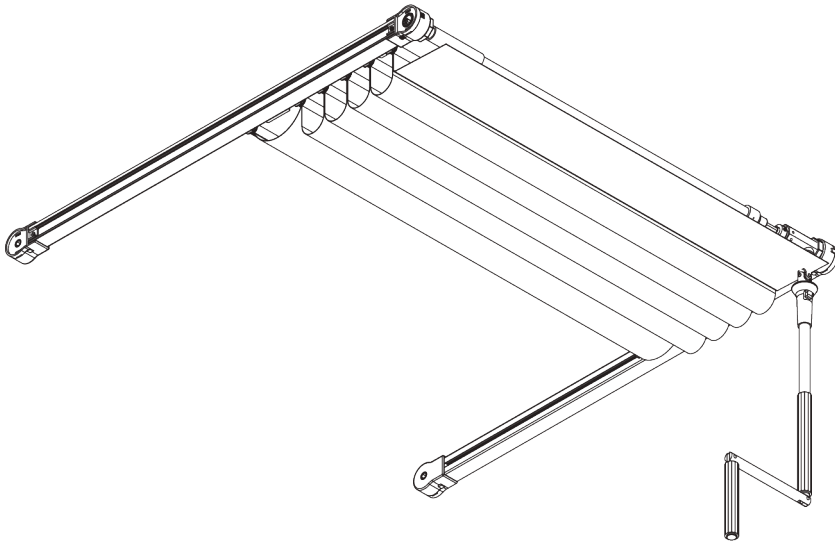
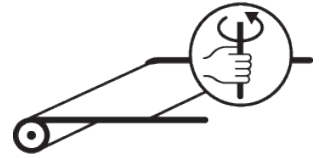


SG 2190



PRODUCT INFORMATION

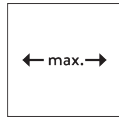
- **Operation:** crank
- **Range:** S - M
- **Fitting:** ceiling, wall
- **Colours:** white RAL 9016 or anodised aluminum, special colours possible
- **Fabrics:** refer to Silent Gliss fabric collection

Features:

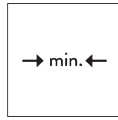
- Bendable
- Sloping
- Two connected systems

SYSTEM SPECIFICATIONS

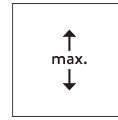
A. SYSTEM DIMENSIONS



2.5 m



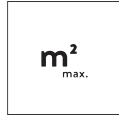
60 cm



6 m



15 kg



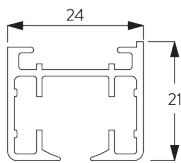
15 m²

Max. system sizes and weights

SG 2190		kg _{max.}	A	B	SG 2190		kg _{max.}	A	B
		15	1.8 m	6 m			15	2 m	5 m
		15	1.8 m	6 m			15	2 m	5 m
		15	2 m	5 m			15	2 m	5 m
		15	2 m	5 m			15	2 m	4 m
		15	2.5 m	6 m			15	2 m	4 m
		15	3 m	6 m			15	2 m	4 m

B. PROFILE

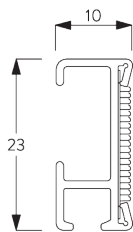
Profile and bending information



SG 2191

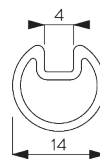
Profile

Radius:
>25 cm



SG 2116

Velcro profile



SG 2156

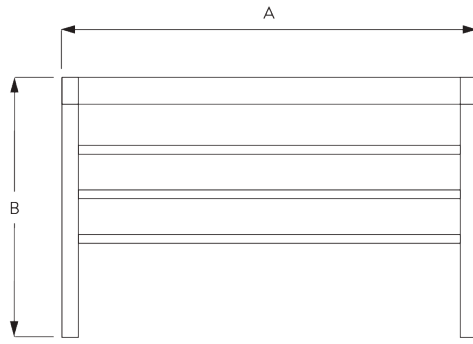
Shaft



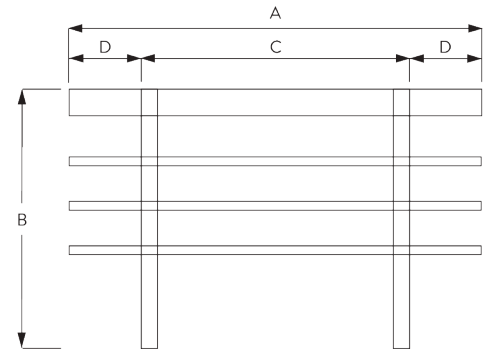
SG 2759

Profile

**C. HOW TO
MEASURE**



A: System width
B: System height



A: System width
B: System height
C: Base system
D: Cantilever max. 80 cm

**D. SPECIFICATION
TEXT**

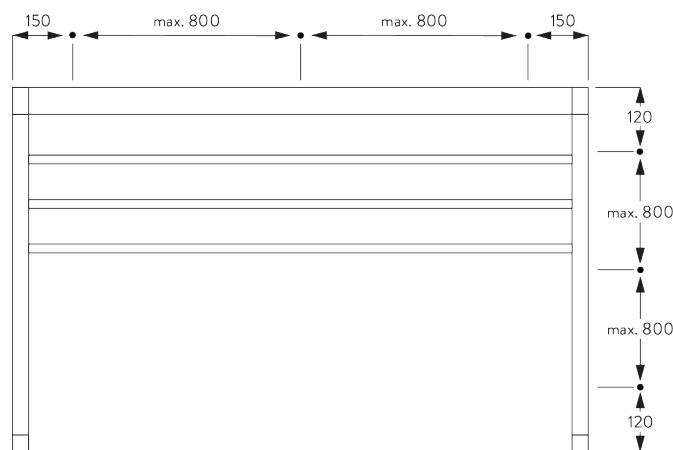
Silent Gliss SG 2190 Crank Operated Skylight System. Supplied made to measure and complete comprising drive shaft SG 2156, detachable crank handle SG 2746, hexagonal bar SG 2111, Glider 2145, Heavy duty cross rod SG 2248, Cross rod SG 2759, Velcro profile SG 2116, Connector SG 2242, top fix bracket SG 3603, aluminium side guide profiles SG 2191 in silver / white / bronze / black side fixed with SG 3825 clamps at 30cm centres. Optional fixing brackets SG 3036/3825 / SG 2138 / SG 2139. Left- or right-hand operation. Can be single or double system operated from single crank handle. Fabric to be chosen from the Silent Gliss fabric range relevant for this product type.

FITTING

**A. FITTING
INFORMATION**

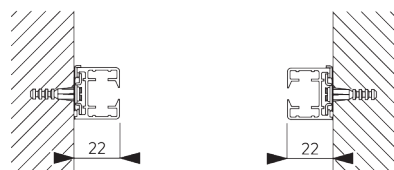
For detailed fitting information, visit the Silent Gliss website.

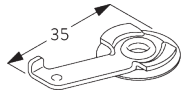
Fixing points



B. INSIDE FITTING

Clamp SG 3825



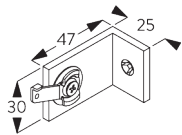
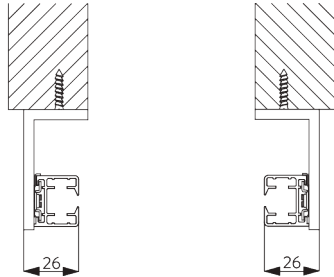


SG 3825

Clamp

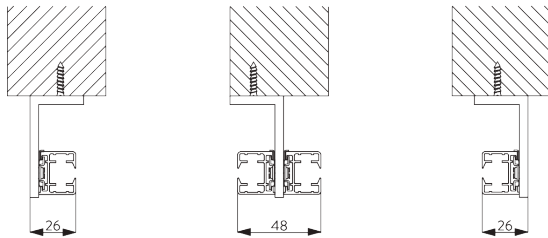
C. FACE FITTING

Bracket SG 3181

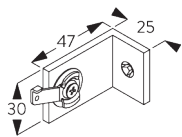


SG 3181

Bracket with 1 clamp



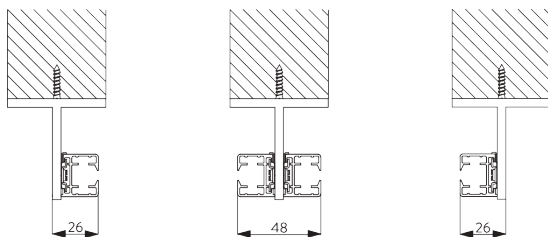
Double system

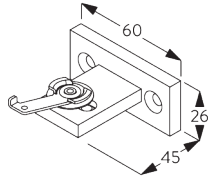


SG 3181

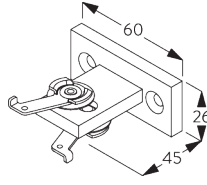
Bracket with 1 clamp

T-Bracket SG 2138 / SG 2139





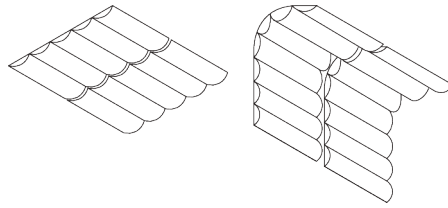
SG 2138
T-bracket 1 clamp



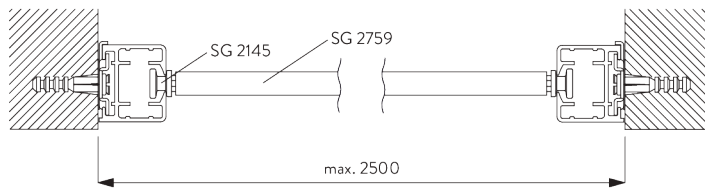
SG 2139
T-bracket 2 clamps

SYSTEM OPTIONS

A. TWO CONNECTED SYSTEMS

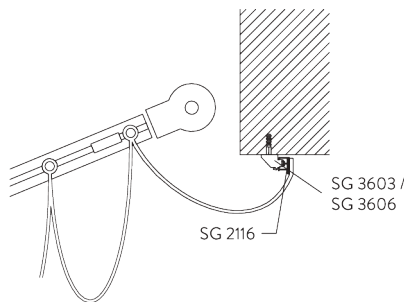


B. INSTALLATION OPTIONS



- SG 2145: Glider
- SG 2759: Profile

C. FABRIC FIXING



Fixing of fabric with profile SG 2116

GENERAL NOTES

Dimensions

- Measurements are in mm except where indicated.
- Max. kg relates to fabric incl. accessories (cross rods, etc.).
- Stack size depends on fabric make-up where applicable.

Fitting

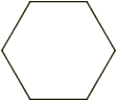
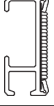
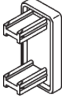
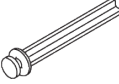


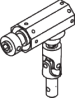
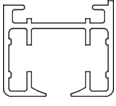
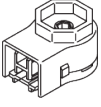
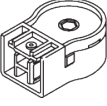
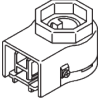
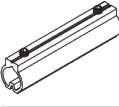
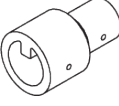

- Installation by qualified fitter only.
- Number of brackets and fitting positions / fixing points vary depending on fitting surface, system weight, fabric make-up, screw / fixing type and obstacles.
- Qualified fitter must use appropriate screws / fixings for each situation.
- Electrical installations must be carried out according to Silent Gliss wiring diagrams and conform to local regulations.
- Check space for cables and plugs!

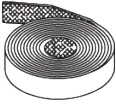
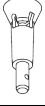
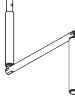
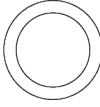
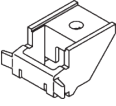

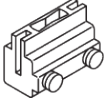
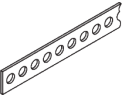
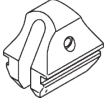
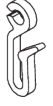
Child Safety

- All relevant Silent Gliss systems correspond to child safety EN 13120.
- All parties involved must comply with EN 13120.

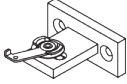
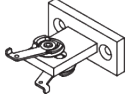
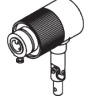
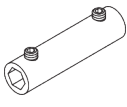
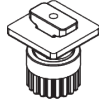
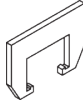


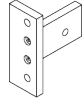
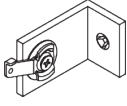

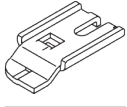
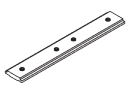
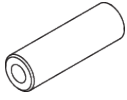
PARTS

A. STANDARD PARTS

	SG 2111 Shaft
	SG 2116 Velcro profile
	SG 2131 End cover
	SG 2145 Glider
	SG 2156 Shaft
	SG 2182 Sleeve
	SG 2189 Crank drive
	SG 2191 Profile
	SG 2192 Drive
	SG 2193 Guide return
	SG 2230 Drive
	SG 2242 Connector
	SG 2244 Connector
	SG 2248 Profile

	SG 2539 Tape
	SG 2754 Detachable crank hood
	SG 2756 Crank handle
	SG 2759 Profile
	SG 3603 Bracket
	SG 3825 Clamp
	SG 5005 Belt connector
	SG 5130 Driving belt
	SG 6086 Spring stop
	SG 6146 Hook

B. OPTIONAL PARTS

	SG 2138 T-bracket 1 clamp
	SG 2139 T-bracket 2 clamps
	SG 2176 Crank drive
	SG 2187 Connector
	SG 2255 Brake
	SG 2613 Connector
	SG 2742 Crank joint
	SG 2745 Crank handle with joint
	SG 3066 T-Bracket
	SG 3181 Bracket with 1 clamp
	SG 3606 Clip
	SG 3832 Bracket
	SG 5115 Connection bridge
	SG 6796 Spring pin 4x12 DIN 1481

