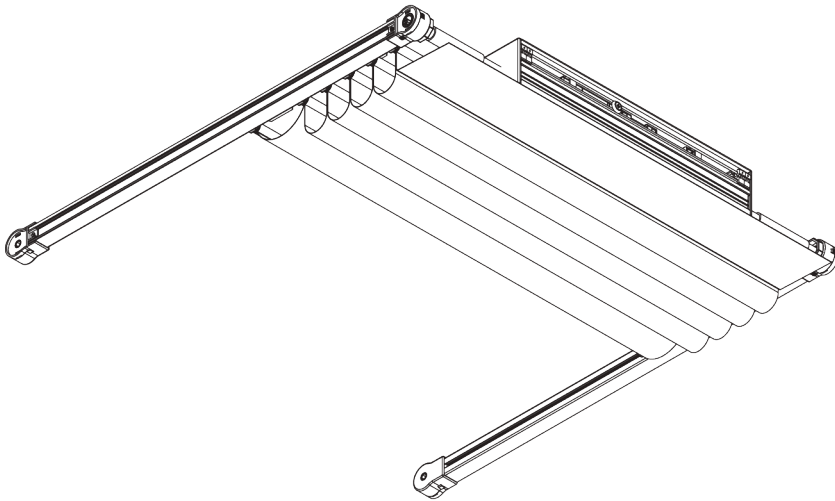
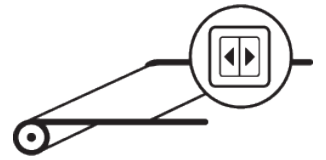


SG 2195



PRODUCT INFORMATION

- **Operation:** motorised
- **Range:** S - L
- **Fitting:** ceiling, wall, recess
- **Colours:** white RAL 9016 or anodised aluminum, special colours possible
- **Fabrics:** refer to Silent Gliss fabric collection

Features:

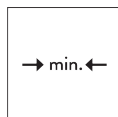
- Bendable
- Sloping
- Three connected systems
- Various control options

SYSTEM SPECIFICATIONS

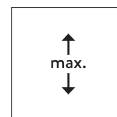
A. SYSTEM DIMENSIONS



2.5 m



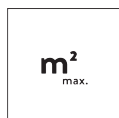
60 cm



6 m



25 kg



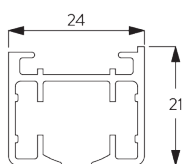
15 m²

Max. system sizes and weights

| SG 2195 | | kg _{max.} | A | B | SG 2195 | | kg _{max.} | A | B |
|---------|--|--------------------|-----|-----|---------|--|--------------------|-----|-----|
| | | 18 | 3 m | 6 m | | | 18 | 3 m | 6 m |
| | | 18 | 6 m | 6 m | | | 18 | 6 m | 6 m |
| | | 18 | 6 m | 5 m | | | 18 | 6 m | 6 m |
| | | 25 | 3 m | 6 m | | | 18 | 3 m | 6 m |
| | | 25 | 6 m | 6 m | | | 18 | 6 m | 5 m |
| | | 25 | 6 m | 6 m | | | 18 | 6 m | 5 m |
| | | 25 | 3 m | 6 m | | | 10 | 3 m | 4 m |
| | | 25 | 6 m | 6 m | | | 10 | 6 m | 4 m |
| | | 25 | 6 m | 6 m | | | 10 | 6 m | 3 m |

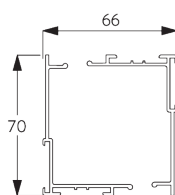
B. PROFILE

Profile and bending information



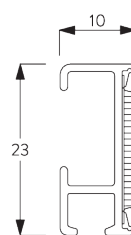
SG 2191

Profile



SG 2151

Profile



SG 2116

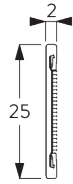
Velcro profile



SG 2156

Shaft

Radius: >25 cm



SG 2510

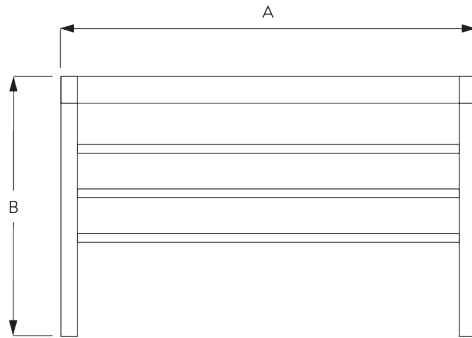
Velcro profile



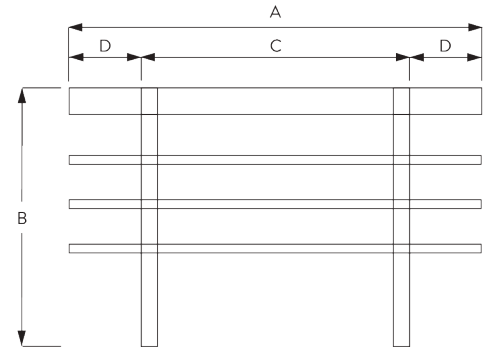
SG 2759

Profile

C. HOW TO MEASURE



A: System width
B: System height



A: System width
B: System height
C: Base system
D: Cantilever max. 80 cm

D. SPECIFICATION TEXT

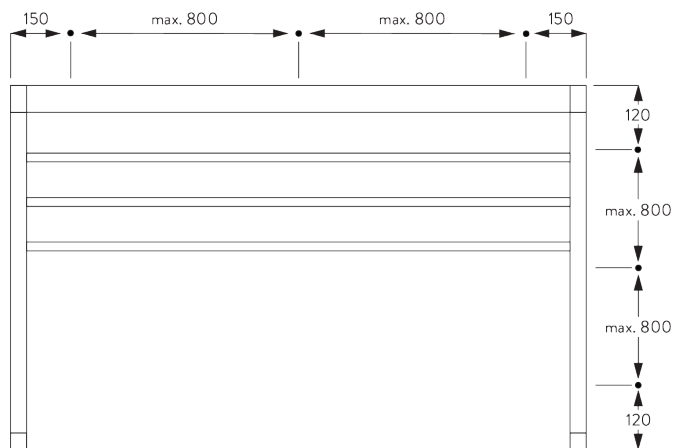
Silent Gliss SG 2195 Electrically Operated Skylight System. Supplied made to measure and complete comprising aluminium headbox SG 2151 with enclosed motor SG 2160 complete with drive shaft SG 2156, clamps SG3004, aluminium side guide profiles SG 2191 in silver / white / bronze / black side fixed with SG 3825 clamps at 30cm centres, Glider 2145, Heavy duty cross rod SG 2248, Cross rod SG 2759, Velcro profile SG 2116, Connector SG 2242, Top fix bracket SG 3603. Optional fixing brackets SG 3036/3825 / SG 2138 / SG 2139. Can be single, double or triple operation from one motor controlled by fixed switch / third party control system subject to suitable interface by others party / Silent Gliss SG 9940/0450 radio control systems via external receiver. All radio control components supplied at additional cost. All wiring to be strictly in accordance with Silent Gliss wiring diagrams. Fabric to be chosen from the Silent Gliss fabric range relevant to this product group.

FITTING

A. FITTING INFORMATION

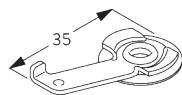
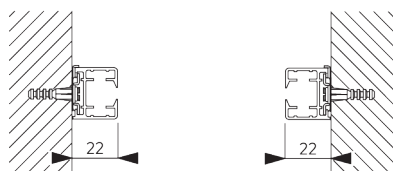
For detailed fitting information, visit the [Silent Gliss website](#).

Fixing points



B. INSIDE FITTING

Clamp SG 3825

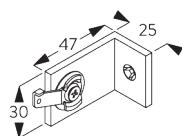
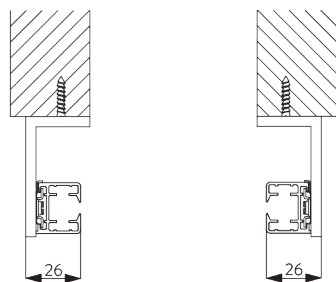


SG 3825

Clamp

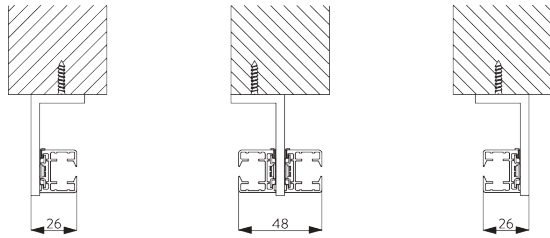
C. FACE FITTING

Bracket SG 3181

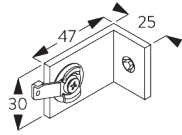


SG 3181

Bracket with 1 clamp



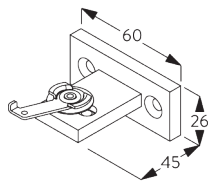
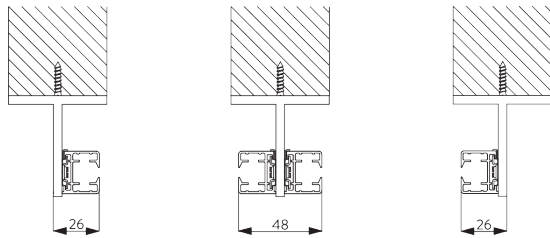
Double system



SG 3181

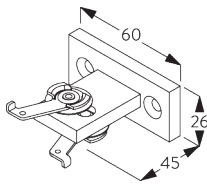
Bracket with 1 clamp

**T-Bracket SG 2138 /
SG 2139**



SG 2138

T-bracket 1 clamp

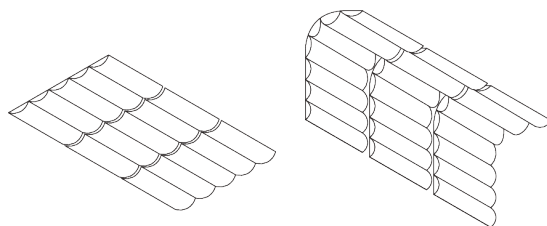


SG 2139

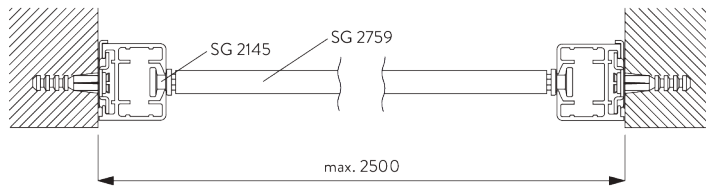
T-bracket 2 clamps

SYSTEM OPTIONS

**A. THREE
CONNECTED
SYSTEMS**

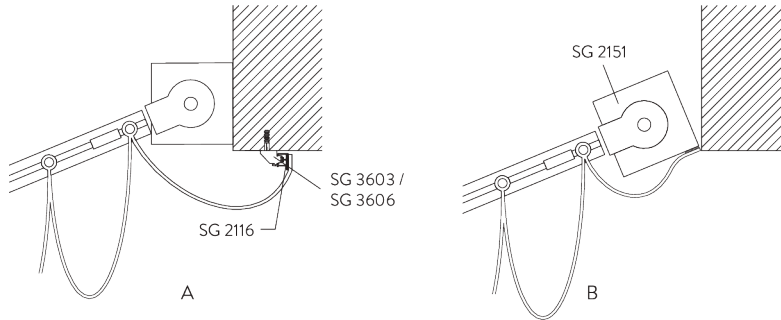


B. INSTALLATION OPTIONS



- SG 2145: Glider
- SG 2759: Profile

C. FABRIC FIXING



- A: Fixing of fabric with profile SG 2116 (standard)
 B: Fixing of fabric directly on headrail cassette

MOTOR & CONTROLS

A. MOTOR FEATURES

| Motors | SG 2160 | SG 11328 |
|---|---------|----------|
| Motor Features | | |
| Mechanical end-stop | ● | ● |
| Mechanical revolution counter (limited revolution) | ● | ● |
| Noiseless stop | ● | ● |
| IP class | IP 44 | IP 44 |
| Control Features | | |
| Mains power control | ● | ● |
| SG Control L (external receiver required) | ● | ● |
| SG Control R (external receiver required) | ● | ● |
| Suitable for most major home automation systems (with suitable interface) | ● | ● |

B. MOTOR SPECIFICATIONS

| Motors | Voltage | Current | Frequency | Speed |
|----------|----------|---------|-----------|--------|
| SG 2160 | 230 V AC | 0.5 A | 50 Hz | 26 rpm |
| SG 11328 | 120 V AC | 1.3 A | 60 Hz | 30 rpm |

**C. OPERATING
METHODS**

See catalogue "controls" for details.

Wall Switch



System can be operated by fixed wall switch.

SG Control L



Various radio hand-held and wall transmitters available.
An external receiver is required.



Silent Gliss Move App.

SG Control R



Various radio hand-held and wall transmitters available.
An external receiver is required.

**D. WIRING
DIAGRAMS**



Refer to Silent Gliss website.

GENERAL NOTES

Dimensions

- Measurements are in mm except where indicated.
- Max. kg relates to fabric incl. accessories (cross rods, etc.).
- Stack size depends on fabric make-up where applicable.

Fitting

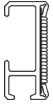
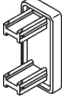
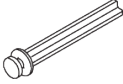

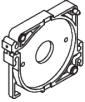
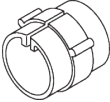


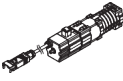
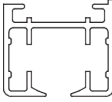
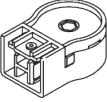
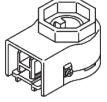
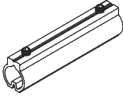
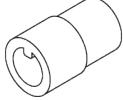
- Installation by qualified fitter only.
- Number of brackets and fitting positions / fixing points vary depending on fitting surface, system weight, fabric make-up, screw / fixing type and obstacles.
- Qualified fitter must use appropriate screws / fixings for each situation.
- Electrical installations must be carried out according to Silent Gliss wiring diagrams and conform to local regulations.
- Check space for cables and plugs!

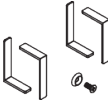

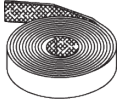
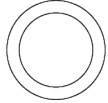

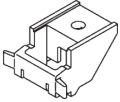

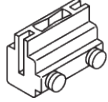
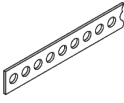

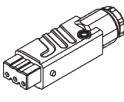
Child Safety

- All relevant Silent Gliss systems correspond to child safety EN 13120.
- All parties involved must comply with EN 13120.

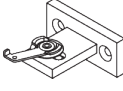
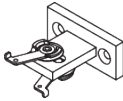
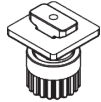
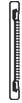
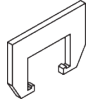
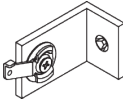

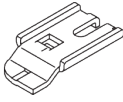
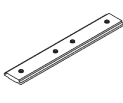

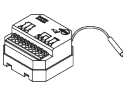
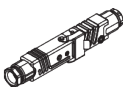
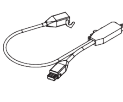
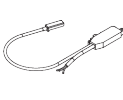
PARTS

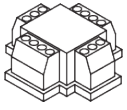
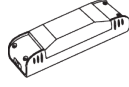
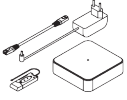
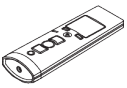
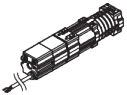
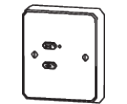
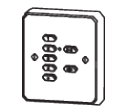
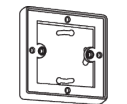
A. STANDARD PARTS

| | |
|---|--|
|  | SG 2116 Velcro profile |
|  | SG 2131 End cover |
|  | SG 2145 Glider |
|  | SG 2151 Profile |
|  | SG 2152 Bearing shell |
|  | SG 2153 Pulley |
|  | SG 2154 End cover |
|  | SG 2156 Shaft |
|  | SG 2160 Motor 230V AC, JA 06/26 soft |
|  | SG 2191 Profile |
|  | SG 2193 Guide return |
|  | SG 2230 Drive |
|  | SG 2242 Connector |
|  | SG 2245 Shaft connector |

| | |
|---|--|
|  | SG 2247 Set Elero 230V |
|  | SG 2248 Profile |
|  | SG 2539 Tape |
|  | SG 2759 Profile |
|  | SG 3004 Clamp |
|  | SG 3603 Bracket |
|  | SG 3825 Clamp |
|  | SG 5005 Belt connector |
|  | SG 5130 Driving belt |
|  | SG 6086 Spring stop |
|  | SG 9917 Hirschmann portable socket-outlet STAK 3 N |

B. OPTIONAL PARTS

| | |
|---|--|
|  | SG 2138 T-bracket 1 clamp |
|  | SG 2139 T-bracket 2 clamps |
|  | SG 2255 Brake |
|  | SG 2510 Velcro profile |
|  | SG 2613 Connector |
|  | SG 3181 Bracket with 1 clamp |
|  | SG 3606 Clip |
|  | SG 3832 Bracket |
|  | SG 5115 Connection bridge |
|  | SG 5736 Relay socket |
|  | SG 9068 Radio receiver Revio |
|  | SG 9916 Hirschmann plug set |
|  | SG 9944 Radio receiver 1 channel |
|  | SG 9945 Radio receiver 1 channel |

**SG 9959***Central control unit relay***SG 20919***Control module motor type R***SG 9960***Move server set***SG 9961***Move transmitter***SG 10300***Radio hand held 1 channel***SG 10302***Radio hand held 5+1 channel***SG 10303***Radio hand held 10+2+1 channel***SG 10804***Radio hand held 15+5+1 channel***SG 11328***Motor 120V AC, JA 08/30 soft, UL***SG 11480***Radio wall transmitter 1 channel***SG 11490***Radio wall transmitter 5+1 channel***SG 20336***Hand held transmitter 8 channel***SG 20913***Wall switch single channel***SG 20914***Wall switch 8 channel***SG 20917***Patress box*

