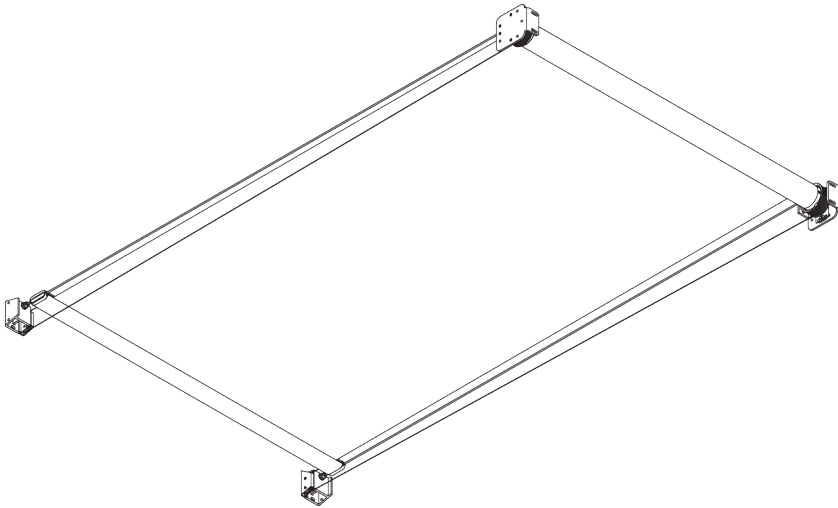
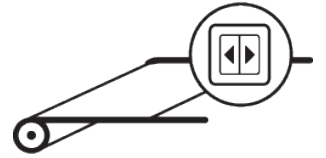


SG 8600



PRODUCT INFORMATION

- **Operation:** motorised
- **Range:** M - L
- **Fitting:** ceiling, wall
- **Colours:** white RAL 9016; special colours or anodised aluminum possible
- **Fabrics:** refer to Silent Gliss fabric collection

Features:

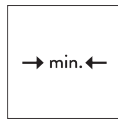
- Tensioned roller blind
- Various control options
- Any angle

SYSTEM SPECIFICATIONS

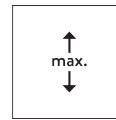
A. SYSTEM DIMENSIONS



4 m



M: 87 cm
L: 108 cm



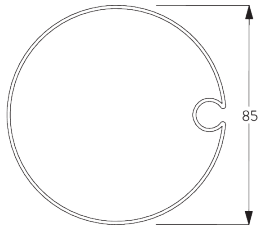
M: 3 m
L: 6.5 m



18 m²

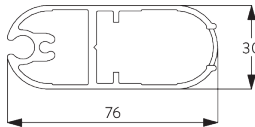
B. PROFILE

Profile information



SG 8601

Tube ø 85 mm



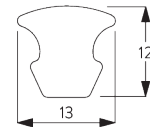
SG 8602

Bottom bar



SG 8618

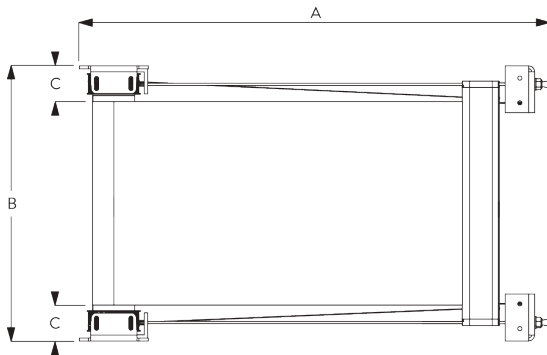
Fabric rod ø 6 mm



SG 8626

Cover strip

C. HOW TO MEASURE



A: System length

B: System width

C: Light gap: 75 mm

Pulling force per bracket: approx. 100 kg

D. SPECIFICATION TEXT

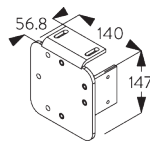
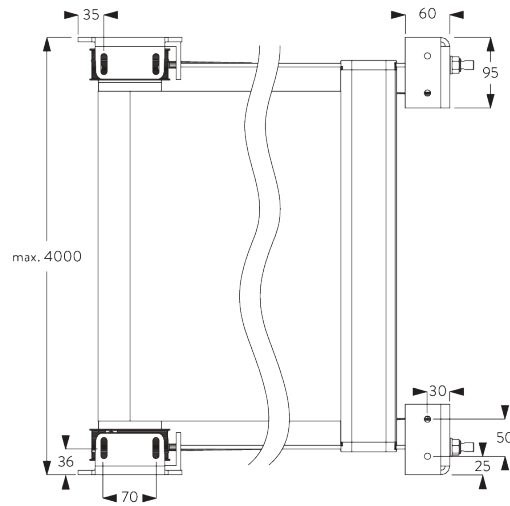
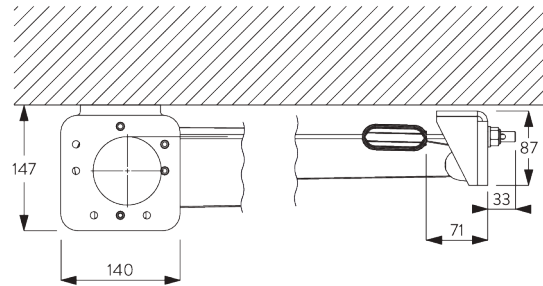
Silent Gliss SG 8600 Electrically Operated Tensioned Roller Blind System. Supplied made to measure and complete comprising (key components) aluminium barrel SG 8601, motor SG 8605, tension wire SG 8619, spring set SG 8603 / 8605, hem bar profile SG 8602, ceiling fit brackets set SG 8606-8607-8608-8609 / wall fit bracket set SG 8611-8612-8613. Can be controlled by fixed switch / third party control system subject to suitable interface by others / Silent Gliss SG 9940/0450 radio control systems via external receiver. All radio control components supplied at additional cost. All wiring to be strictly in accordance with Silent Gliss wiring diagrams. Fabric to be chosen from the Silent Gliss fabric range, Price Group 1 / price group 2.

FITTING

A. FITTING INFORMATION

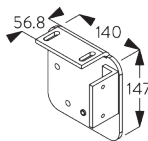
For detailed fitting information, visit the Silent Gliss website.

B. CEILING FITTING



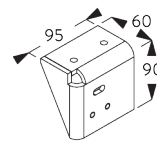
SG 8606

Roller bracket ceiling left



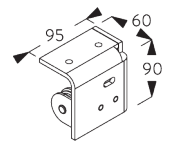
SG 8607

Roller bracket ceiling right



SG 8608

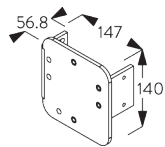
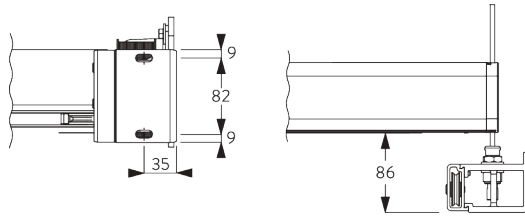
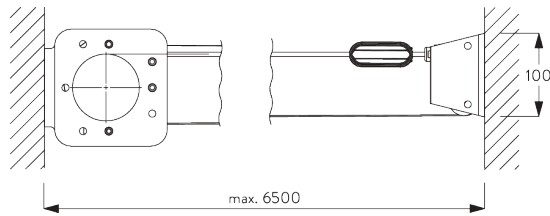
Pulley bracket ceiling left



SG 8609

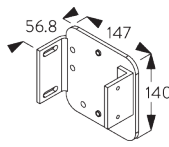
Pulley bracket ceiling right

C. WALL FITTING



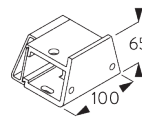
SG 8611

Roller bracket wall left



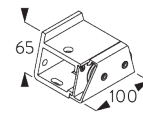
SG 8612

Roller bracket wall right



SG 8621

Pulley bracket side/back left



SG 8622

Pulley bracket side/back right

MOTORS & CONTROLS

A. MOTOR FEATURES

Motors	SG 8605	SG 8627
Motor Features		
Mechanical end-stop	•	•
Mechanical revolution counter (limited revolution)	•	•
IP class	IP 44	IP 44
Control Features		
Mains power control	•	•
SG Control L (external receiver required)	•	•
SG Control R (external receiver required)	•	•
Suitable for most major home automation systems (with suitable interface)	•	•

B. MOTOR SPECIFICATIONS

Motors	Voltage	Current	Frequency	Speed
SG 8605	230 V AC	0.65 A	50 Hz	17 rpm
SG 8627	120 V AC	1.1 A	60 Hz	18 rpm

**C. OPERATING
METHODS**

See catalogue "controls" for details.

Wall Switch



System can be operated by fixed wall switch.

SG Control L



Various radio hand-held and wall transmitters available.
An external receiver is required.



Silent Gliss Move App.

SG Control R



Various radio hand-held and wall transmitters available.
An external receiver is required.

**D. WIRING
DIAGRAMS**



Refer to Silent Gliss website.

GENERAL NOTES

Dimensions

- Measurements are in mm except where indicated.
- Max. kg relates to fabric incl. accessories (cross rods, etc.).
- Stack size depends on fabric make-up where applicable.

Fitting


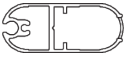
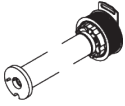
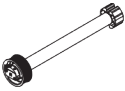
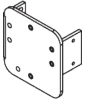
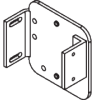
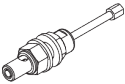

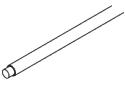
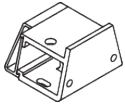
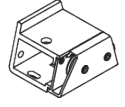
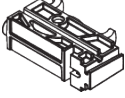
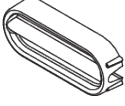
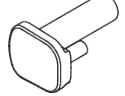
- Installation by qualified fitter only.
- Number of brackets and fitting positions / fixing points vary depending on fitting surface, system weight, fabric make-up, screw / fixing type and obstacles.
- Qualified fitter must use appropriate screws / fixings for each situation.
- Electrical installations must be carried out according to Silent Gliss wiring diagrams and conform to local regulations.
- Check space for cables and plugs!


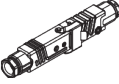
Child Safety

- All relevant Silent Gliss systems correspond to child safety EN 13120.
- All parties involved must comply with EN 13120.


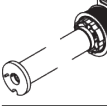

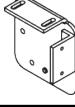
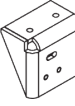
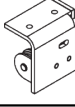
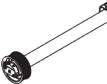
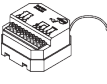
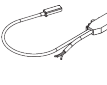
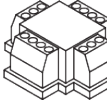
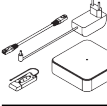
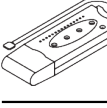


PARTS

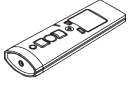
A. STANDARD PARTS

	SG 8601 Tube ø 85 mm
	SG 8602 Bottom bar
	SG 8604 Spring long
	SG 8605 Motor 230V AC, 17/15
	SG 8611 Roller bracket wall left
	SG 8612 Roller bracket wall right
	SG 8616 Wire guide set
	SG 8618 Fabric rod ø 6 mm
	SG 8619 Tension wire ø 1.5 mm
	SG 8621 Pulley bracket side/back left
	SG 8622 Pulley bracket side/back right
	SG 8623 Bottom bar pulley
	SG 8624 End cover
	SG 8625 Fabric spacer

	SG 8626 Cover strip
	SG 9916 Hirschmann plug set

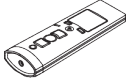
B. OPTIONAL PARTS

	SG 5736 Relay socket
	SG 8603 Spring short
	SG 8606 Roller bracket ceiling left
	SG 8607 Roller bracket ceiling right
	SG 8608 Pulley bracket ceiling left
	SG 8609 Pulley bracket ceiling right
	SG 8627 Motor 120V AC, 18/15
	SG 9068 Radio receiver Revio
	SG 9945 Radio receiver 1 channel
	SG 9959 Central control unit relay
	SG 9960 Move server set
	SG 9961 Move transmitter
	SG 10300 Radio hand held 1 channel
	SG 10302 Radio hand held 5+1 channel



SG 10303

Radio hand held 10+2+1 channel



SG 10804

Radio hand held 15+5+1 channel



SG 11480

Radio wall transmitter 1 channel



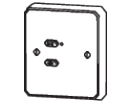
SG 11490

Radio wall transmitter 5+1 channel



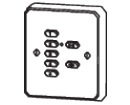
SG 20336

Hand held transmitter 8 channel



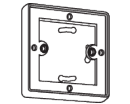
SG 20913

Wall switch single channel



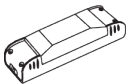
SG 20914

Wall switch 8 channel



SG 20917

Pattress box



SG 20919

Control module motor type R
