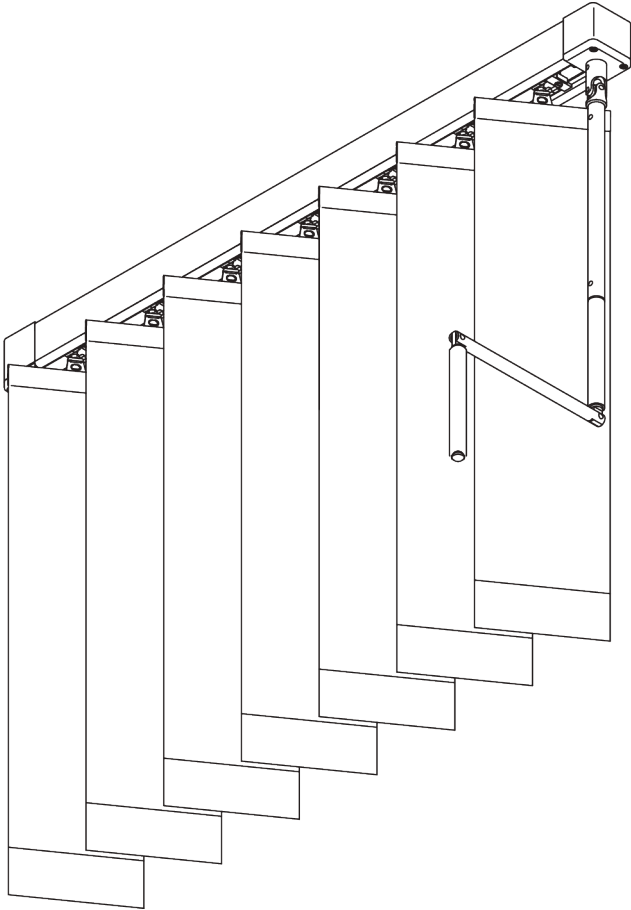


SG 2900



PRODUCT INFORMATION

- **Operation:** Crank
- **Range:** S - L
- **Fitting:** ceiling, wall, recess
- **Colours:** white RAL 9016 or anodised aluminum, special colours possible
- **Fabrics:** refer to Silent Gliss fabric collection

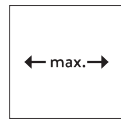
Features:

- Optimised light control
- Mono controlled
- Sloping applications
- Louvre width: 127 mm (standard), 89 mm
- Vertical Waves
- Bendable

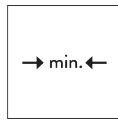
09/2021/V1

SYSTEM SPECIFICATIONS

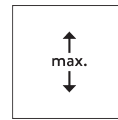
A. SYSTEM DIMENSIONS



6 m



Single Stack: 50 cm
Pair stack: 1.1 m



4 m



600 g per louvre

Max. system widths

| | 127 mm 89 mm | 6 m 6 m |
|--|-----------------|------------|
| | 127 mm 89 mm | 6 m 6 m |
| | 127 mm 89 mm | 6 m 5 m |
| | 127 mm 89 mm | 5 m 5 m |
| | 127 mm 89 mm | 6 m 5 m |

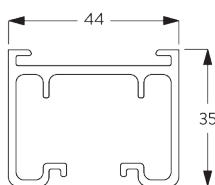
Stack sizes

| | | 100 | 150 | 200 | 250 | 300 | 350 | 400 | 450 | 500 | 550 | 600 | |
|--------|--|-----|-----|-----|-----|-----|-----|-----|-----|-----|-----|-----|--|
| 127 mm | | 27 | 35 | 42 | 50 | 57 | 65 | 72 | 80 | 87 | 95 | 101 | |
| | | 21 | 25 | 28 | 32 | 36 | 39 | 43 | 47 | 50 | 54 | 58 | |
| 89 mm | | 29 | 40 | 50 | 60 | 69 | 80 | 89 | 100 | 110 | 120 | 129 | |
| | | 20 | 25 | 30 | 35 | 39 | 45 | 50 | 56 | 60 | 65 | 69 | |

(cm)

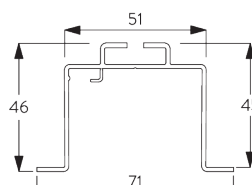
B. PROFILE

Profile and bending information



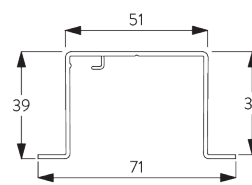
SG 2901

Profile



SG 2948

Recess profile

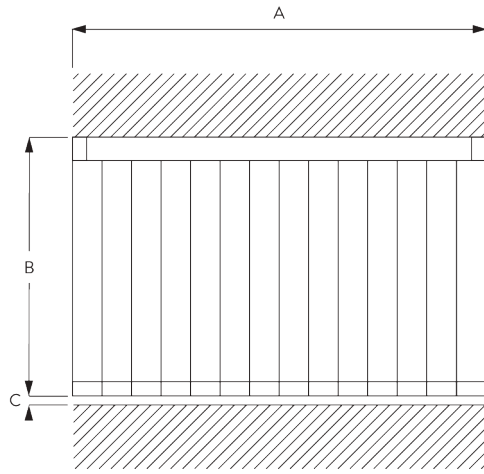


SG 2932

Recess profile



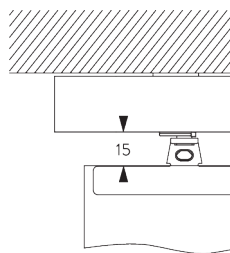
**C. HOW TO
MEASURE**



A: System width
B: System height
C: Distance between floor and fabric

Crank height approx. 110 cm from the floor (crank extended)!

Light gap



**D. SPECIFICATION
TEXT**

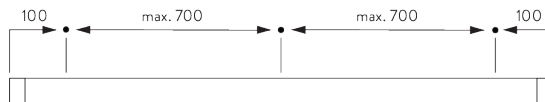
Silent Gliss SG 2900 Crank Operated Vertical Blind System. Comprises aluminium profile SG 2901 supplied made to measure powder coated white or silver anodised. Assembled complete with detachable crank handle SG 2746 and rotation elements to suit louvre width 127mm SG 2916 / 89mm SG 2918. Top fixed with clamp SG 3033 at max 300mm centres + 1. Wall fixed with clamp SG 3033 in conjunction with SG Universal Smart Fix brackets SG 11154-11156 at 300mm centres + 1. Recess fixed option with recess profile SG 2932 and wedges SG 2941. Fabric supplied from Silent Gliss fabric range.

FITTING

**A. FITTING
INFORMATION**

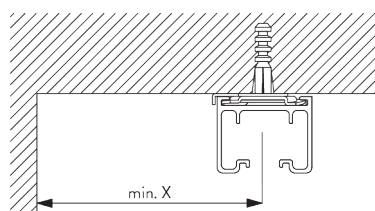
For detailed fitting information, visit the Silent Gliss website.

Fixing points

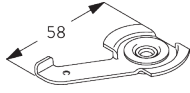


B. CEILING FITTING

Clamp SG 3033



| Min. wall distance louvres | X mm |
|----------------------------|------|
| 89 mm | 65 |
| 127 mm | 85 |
| Vertical Waves 89 mm | 115 |
| Vertical Waves 125 mm | 140 |

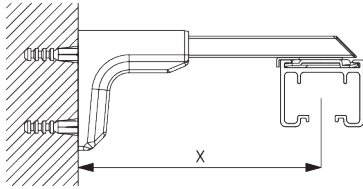


SG 3033

Clamp

C. WALL FITTING

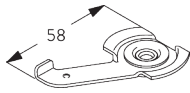
Smart Fix



Universal Smart Fix SG 11154 - SG 11156 and clamp SG 3033

Screw SG 11158 (M4x12) needed.

| Smart Fix | X mm |
|------------------------------------|---------|
| SG 11154 | 102-130 |
| SG 11155 | 132-160 |
| SG 11156 | 182-210 |
| <hr/> | |
| <i>Min. wall distance louveres</i> | |
| Vertical Waves 89 mm | 115 |
| Vertical Waves 125 mm | 140 |

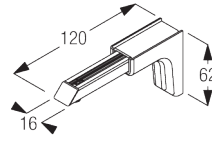


SG 3033

Clamp

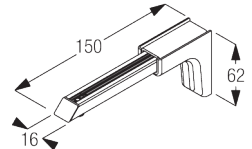
SG 11158

Countersunk head screw
M4x12



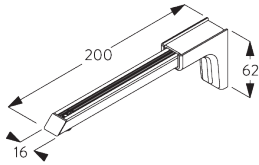
SG 11154

Universal Smart Fix 120 mm



SG 11155

Universal Smart Fix 150 mm

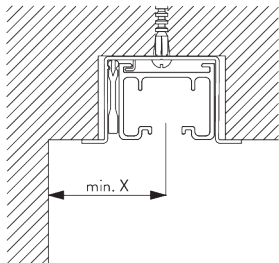


SG 11156

Universal Smart Fix 200 mm

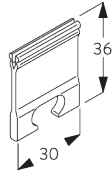
D. RECESS FITTING

**Recess profile
SG 2932**

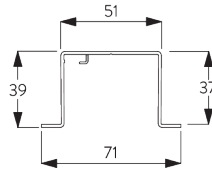


Recess profile SG 2932 can not be bent!
One wedge SG 2941 per fixing point.
For detailed recess fitting, visit the Silent Gliss website.

| Min. wall distance louveres | X mm |
|-----------------------------|------|
| 89 mm | 65 |
| 127 mm | 85 |
| Vertical Waves 89 mm | 115 |
| Vertical Waves 125 mm | 140 |

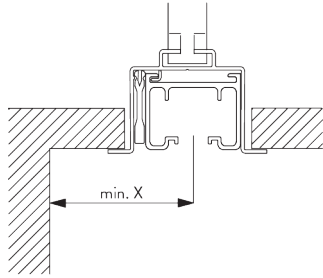


SG 2941
Wedge



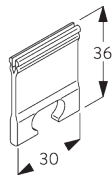
SG 2932
Recess profile

**Suspended ceiling
with recess profile
SG 2948 / hanger
SG 6268**

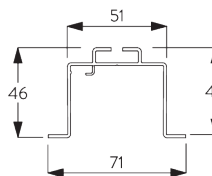


*Recess profile SG 2948 can not be bent!
One wedge SG 2941 per fixing point.
For detailed recess fitting, visit the Silent Gliss website.*

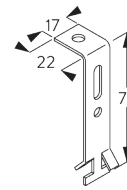
| <i>Min. wall distance louvres</i> | <i>X mm</i> |
|-----------------------------------|-------------|
| 89 mm | 65 |
| 127 mm | 85 |
| Vertical Waves 89 mm | 115 |
| Vertical Waves 125 mm | 140 |



SG 2941
Wedge



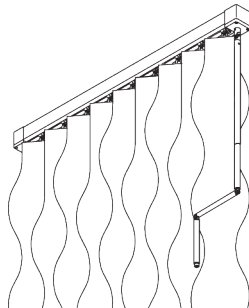
SG 2948
Recess profile

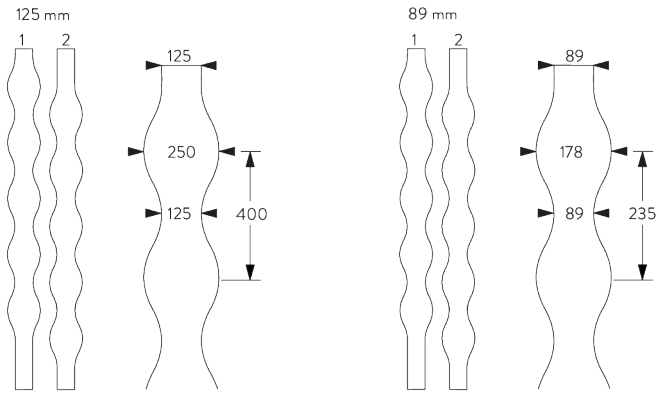


SG 6268
Hanger

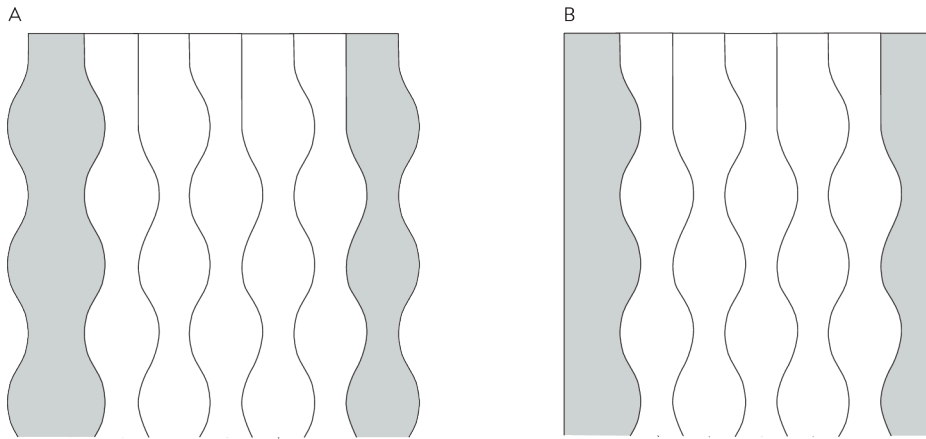
SYSTEM OPTIONS

A. VERTICAL WAVES





3D Vertical Waves only applicable with 125 mm louvres.

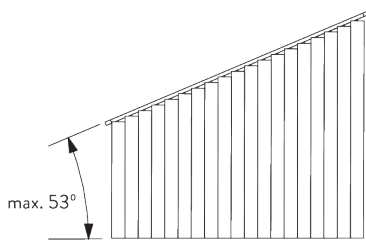


Wall ending

A: Wavy edge

B: Straight edge

B. SLOPING WINDOWS

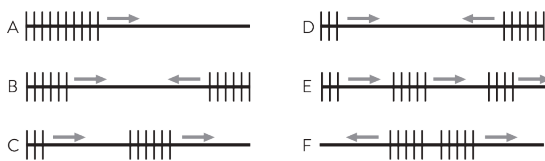


Maximum slope depends on louvre widths:

- 45° with 127 mm louvres
- 53° with 89 mm louvres

Not suitable with system option Vertical Waves.

C. STACKING VARIATIONS



A: Single stack in one direction

B: Pair stack in two directions symmetrical

C: Pair stack in one direction asymmetrical

D: Pair stack in two directions asymmetrical

E: Multiple stacking in one direction symmetrical or asymmetrical

F: Centre stack

GENERAL NOTES

Dimensions

- Measurements are in mm except where indicated.
- Max. kg relates to fabric incl. accessories (bottom bars, etc.).
- Recommended distance floor / fabric: 20 mm.
- In order to determine system height (B), the smallest room height must be taken into account.

Fitting

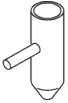
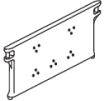

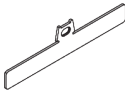
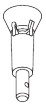
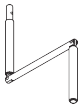
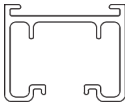
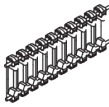




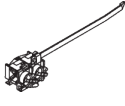
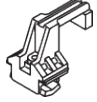
- Installation by qualified fitter only.
- Number of brackets and fitting positions / fixing points vary depending on fitting surface, system weight, fabric make-up, screw / fixing type and obstacles.
- Qualified fitter must use appropriate screws / fixings for each situation.
- Profile lip if applicable to be installed to room side.
- Electrical installations must be carried out according to Silent Gliss wiring diagrams and conform to local regulations.
- Check space for cables and plugs!

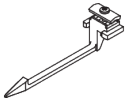

Child Safety

- All relevant Silent Gliss systems correspond to child safety EN 13120.
- All parties involved must comply with EN 13120.

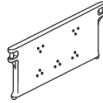

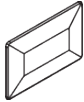
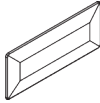



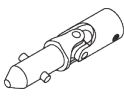



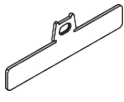
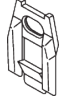

PARTS

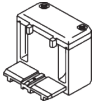
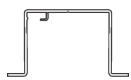
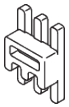
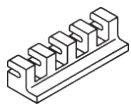
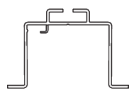
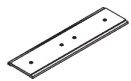
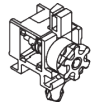
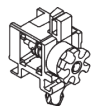
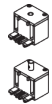
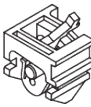
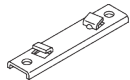
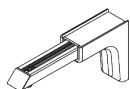
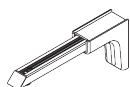
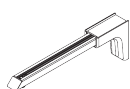
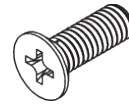
A. STANDARD PARTS

| | |
|------------------------------------------------------------------------------------|----------------------------------------------------|
|  | SG 2182 Sleeve |
|  | SG 2471 Bottom weight 127 mm |
|  | SG 2479 Bottom link 127 mm |
|  | SG 2605 Top clip 127 mm |
|  | SG 2754 Detachable crank hood |
|  | SG 2756 Crank handle |
|  | SG 2901 Profile |
|  | SG 2912 Toothed chain |
|  | SG 2916 Rotation element set 127 mm / 5" |
|  | SG 2917 Rotation element set 100 mm / 4" |
|  | SG 2920 Crank drive set |
|  | SG 2925 Chain connector |
|  | SG 2927 Pilot runner |
|  | SG 2949 End stop |

| | |
|-----------------------------------------------------------------------------------|----------------------------|
|  | SG 2982 End stop |
|  | SG 3033 Clamp |

B. OPTIONAL PARTS

| | |
|---------------------------------------------------------------------------------------|------------------------------------------------|
|  | SG 2473 Bottom weight 89 mm |
|  | SG 2481 Bottom link 89 mm |
|  | SG 2671 Bottom weight 89 mm |
|  | SG 2672 Bottom weight 127 mm |
|  | SG 2735 Holder |
|  | SG 2742 Crank joint |
|  | SG 2745 Crank handle with joint |
|  | SG 2755 Crank joint |
|  | SG 2775 Sloping window distance part |
|  | SG 2776 Sloping window distance part |
|  | SG 2793 Sloping window distance part |
|  | SG 2813 Top clip 89 mm |
|  | SG 2849 Louvre clip |
|  | SG 2888 Bottom link 127 mm / 5" |

**SG 2918***Rotation element set 89 mm / 3.5"***SG 2919***Rotation element set 80 mm / 3"***SG 2930***Guide return***SG 2932***Recess profile***SG 2937***Safety device***SG 2941***Wedge***SG 2944***Limit stop***SG 2945***Limit stop***SG 2946***Limit stop***SG 2948***Recess profile***SG 2962***Connection bridge***SG 2966***Spacer***SG 2967***Spacer***SG 2968***Spacer***SG 2969***Spacer***SG 2971***Rotation element sloping window***SG 2972***Spacer***SG 2973***Spacer***SG 2975***Pilot runner sloping window***SG 2976***Drive set sloping window***SG 2979***Brake sloping window***SG 2987***Bracket***SG 2989***Connector***SG 2990***Cord drive***SG 6268***Hanger***SG 11154***Universal Smart Fix 120 mm***SG 11155***Universal Smart Fix 150 mm***SG 11156***Universal Smart Fix 200 mm***SG 11158***Countersunk head screw M4x12*

